



**Vigyan Ashram**

विज्ञान आश्रम

---

**DESIGN MANUAL**

डिज़ाईन पुस्तिका

(For private circulation only)

(केवल अंतर्गत वितरणासाठी)



# CONTENTS

<b>Chapter Name</b>	<b>Pg No.</b>
<b>Chapter 1 Introduction to LED</b>	<b>5</b>
1.1 Introduction	
1.2 What is LED	
1.3 Light comparison table	
1.4 Advantage and Disadvantage	
<b>Chapter 2 Basic Electric Concept</b>	<b>8</b>
2.1 Current	
2.2 Voltage	
2.3 Resistor	
2.4 Ohm's law	
2.5 Power	
2.6 Capacitor	
2.7 Diode	
2.8 Electric circuit	
<b>Chapter 3 LED Light units</b>	<b>15</b>
3.1 Emergency lamp	
3.2 Low power LED AC lamp	
3.3 12v DC lamp	
3.4 6v DC lamp	
3.5 9v DC lamp	
3.6 Torch	
3.7 Torch using 6v	
3.8 Small torch using 9v battery.	
3.9 LED strip	
3.10 Mobile charger	
3.11 Microcontroller use to drive LEDs.	
<b>Chapter 4 Charging System</b>	<b>30</b>
4.1 Grid power	
4.2 Solar Power	
4.3 Pedal Power	
4.4 Battery charger	
4.5 Solar charger	
4.6 Pedal power charger	

<b>Chapter 5 Batteries</b>	<b>35</b>
5.1 Introduction	
5.2 Selection of batteries	
5.3 Maintenance of batteries	
5.4 Testing of batteries	

<b>Appendix</b>	<b>39</b>
❖ Electric bill calculation	
❖ Understanding resistor label	
❖ How to calculate resistor value	
❖ Internet resources for the LED	
❖ Batteries manufacturer	
❖ Battery wholesaler	
❖ Solar panel manufacturer	
❖ All type of electronic components wholesaler	
❖ Plastic cabinet wholesaler.	

# CHAPTER - 1

## Introduction to LED

---

### 1.1 Introduction

Traditionally following types of lamps are used to convert electrical energy into light energy.

- 1) Incandescent Lamp : Incandescent lamp uses tungsten filament. When current is passed through filament a light is produced. The filament is enclosed in an evacuated glass bulb filled with a gas such as argon, krypton, or nitrogen that helps increase the brilliance of the lamp and also helps the prevent the filament from burning out.

Intensity of light is measured by unit Lumens and Incandescent light gives approximately 200 luminous flux (lm) light by 25W lamp. They are commonly used as light source.

- 2) Compact Fluorescent Lamp (CFL) : This is also known as an energy saving light bulb, is a type of fluorescent lamp that fits into a standard light bulb socket or plugs. CFLs have a longer rated life and use less electricity. CFLs typically save enough money in electricity costs to make up for their higher initial price within about 500 hours of use. A 15 W CFL produce the same amount of light as a 60 incandescent bulb (approximately 900 lumens or 60 lumens per Watt).

- 3) Neon Lamp : A neon lamp is a gas discharge lamp containing primarily neon gas at low pressure. The term is also used for similar devices filled with other noble gases, usually to produce different colors. A small electric current which may be AC or DC, is passed through the tube, causing it to glow orange - red.

- 4) Light Emitting diode (LED) : LEDs are special diodes that emit light. LED devices are becoming popular because they consume very less power than other light device. LEDs have been used in electronics circuit for long time. They are available in red, yellow, green and multicolor and mainly used as indicators in electronic devices.

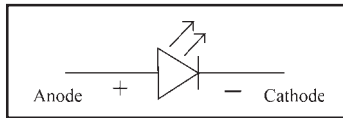
But the new technological makes it possible to have white LEDs. Super bright LEDs made it possible to get more light with very low power consumption. Therefore now LEDs find its use as a light source.

LEDs are so far used in digital display , indicator on electronic instruments like TV, Computer. But now they started finding application in making bulb, torch, and emergency lamps, traffic signal, street lights and so on.

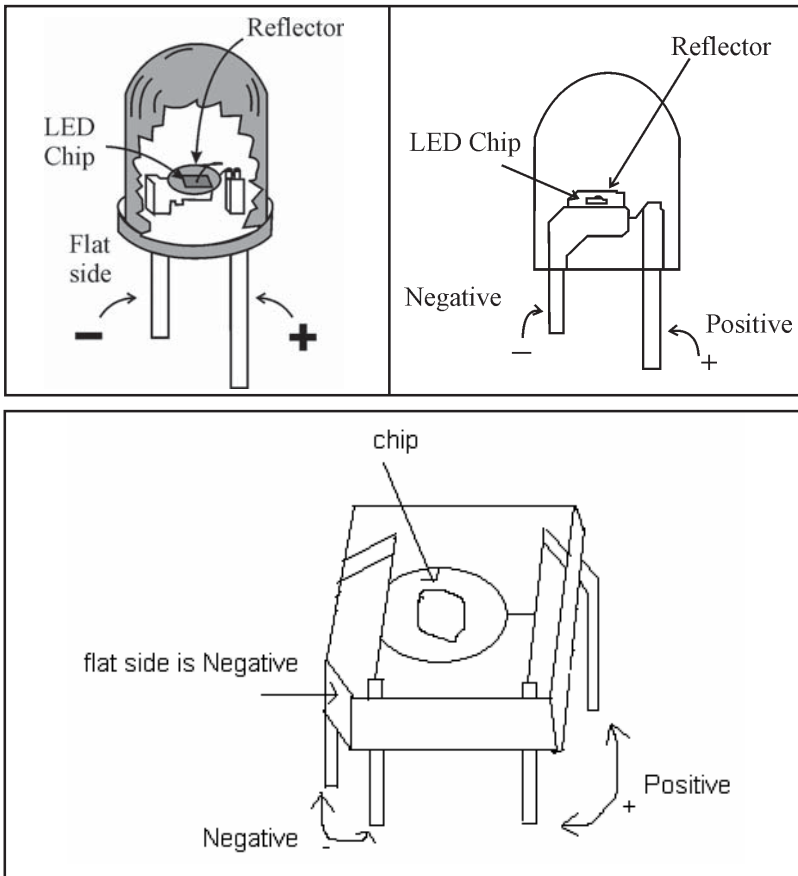
## 1.2 LED

LEDs are diode, which emits photons. They gives lights when current is passed through them. Since it does not required heating of filament or gas, it does not have the problem of burning out.

LED are shown by following symbol -



**Circuit Symbol**



**Figure: super flux LED**

**Figure : Light Emitting Diode (LED)**

Polarity of LED is indicated by size of its leads, lead with longer lead is positive and lead with short length is negative. Super flux LED's one corner is flat that is called negative.

### 1.3 Light comparison table

Following is the comparison of various lighting option. It clearly shows white LED(WLED) are the most energy efficient and durable option.

Sr. No.	Lamp type	Home made kerosene	Incandescent	Compact Fluorescent	WLED
1	Efficiency (Lumens/watt)	0.03	5-18	30-79	25-50
2	Rated Life (Hours)	Supply of kerosene	1000	6500-15000	50000
3	Durability	Fragile& Dangerous	Very Fragile	Very Fragile	Durable
4	Power consumption	0.04-0.06 Liters/hour	5W	4W	1W

(Source: [www.users.tpg.com.au/users/robkemp/Power/ConsumptionTables.htm](http://www.users.tpg.com.au/users/robkemp/Power/ConsumptionTables.htm) [www.thrive.in](http://www.thrive.in) )

#### Advantages of using LED:

- 1) A Range of colors :- LED are available in variety of colours like a violet, blue, yellow, green, orange, red and white.
- 2) Efficiency :- LED consumes very less energy they are very efficient than incandescent bulb.
- 3) Low maintenance :- LED does not necessarily need maintenance. Their rated life is 10000 hrs.
- 4) Durability :- LEDs are extremely resistance to shock, vibration.
- 5) The low operation voltage of LEDs eliminats sparks.

#### Disadvantage

- 1) The viewing angle is less.
- 2) Direct viewing into LED may damage your eyes.

## CHAPTER - 2

### Basic Electric Concepts

---

This chapter will introduce you to basic electric concepts such as current, voltage, ohm's, power; AC and DC power supply etc.

#### 2.1 Current

The amount of electrical charge (current) flowing through the conductor is called Current. The unit of current is called the ampere (abbreviated amp or A). Symbolized with an I.

**Types of Current :** There are two types of current.

- 1) Direct current and
- 2) Alternating Current.

- 1) **Direct current (DC):** DC current always flow in one direction and its direction and rating always remain the same .

The current we get from the cells or batteries is DC Current. It has fixed polarities i.e +ve and -ve terminals.

- 2) **Alternating Current (AC):** The electric current whose direction and rating is always changing is called A.C. The number of such changes in one second is called frequency. In India we get 50 HZ frequency.

#### Measuring current

Remember following steps, while measuring currents.

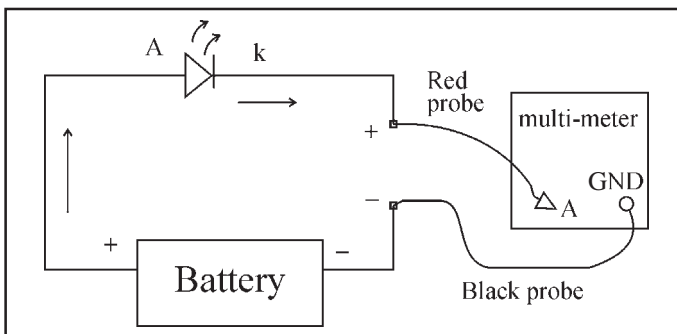
- 1) Please checks if you have selected appropriate scale of current on multi-meter. following are conversion units.  $0.1A = 100MA$

1000 micro Amp. (UA) = 1 Mili Ampere (MA)

1000 Mili Ampere (MA) = 1 Ampere.

1000 Ampere (A) = 1Kilo Ampere (KA)

- 2) The current is always measured in series.



**Figure 2.1 Current measure**



- 3) Ensure multi-meter switch is on DC current position, then connect red probe of multi-meter to positive terminal and black probe to other terminal as shown in the figure.

## 2.2 Voltage

Voltage is defined as the amount of energy required to move a unit of electrical charge (current) from one place to another. Voltage is represented by symbol V. We get 230V AC supply in our homes. Standard pencil cell batteries used in the torch/radio are 1.5V DC.

### Measuring voltage

Remember following steps, while measuring voltage.

- 1) Please check if you have selected appropriate scale of voltage on multi-meter. Following are the conversions

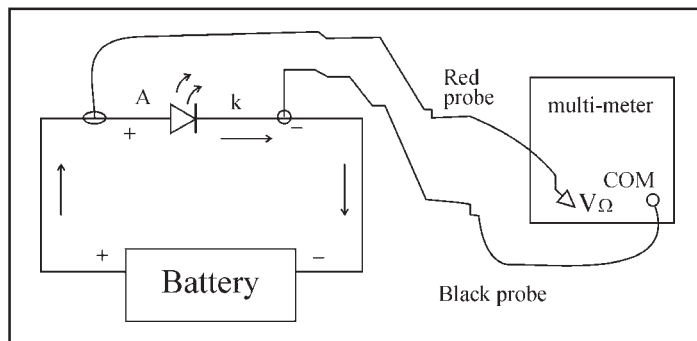
$$1000 \text{ Micro Volt } (\mu\text{V}) = 1 \text{ Mili Volt } (\text{MV})$$

$$1000 \text{ Mili Volt } (\text{MV}) = 1 \text{ Volt } (\text{V})$$

$$1000 \text{ Volt } (\text{V}) = 1 \text{ Kilo Volt } (\text{KV})$$

Above values are indicated on multi-meter. The high voltage values are used in Power station.

- 2) The voltage is always measured in parallel or across the load.



**Figure 2.2 Voltage measure**

- 3) Ensure multi-meter switch is on DC voltage position, then connect red probe of multi-meter to positive terminal and black probe to other terminal as shown in the figure.

## 2.3 Resistor

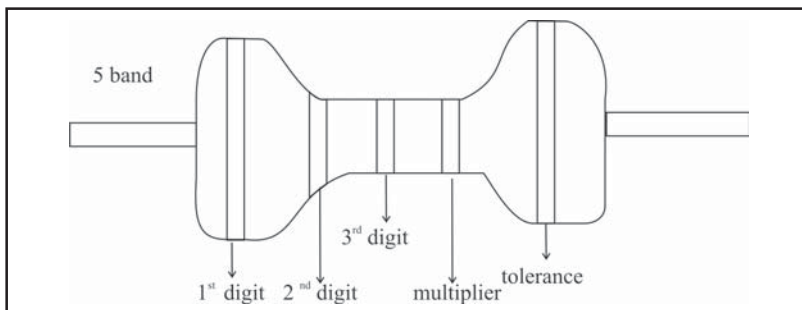
Resistor is electrical device that act to limit current flow in the circuit and at the same time lowers voltage levels within circuits.

The resistor represent by (R)

The symbol of a resistor used in circuit is shown below



**Figure: - circuit symbol**



**Figure :- Resistor**

The unit of resistor is  $\Omega = \text{ohm}$

Resistors are very small in size. Their value is indicated by color codes printed on it.

Resistors are used in electronic circuits to limit current as well as voltage.

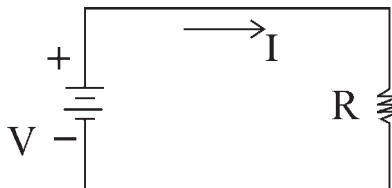
### 2.4 Ohm's Law

Ohm found out that the current flowing through the conductor is directly proportional to the voltage applied to it. The relation between voltage and current flowing through it is shown by the formula.

$$V=IR$$

$$I= V/R$$

$$R=V/I$$



**Figure 2.4 Ohm's Law Concept**

Ohms law is useful to find out the unknown parameter in the circuit if the value of any two of the three (V, I, R) is known.

### 2.5 Power

Electrical power is defined as the rate at which electrical energy is supplied to a circuit or consumed by a load.

$$\text{Power (P)} = \text{Voltage (V)} * \text{Current (I)}$$

$$P = V*I$$

The electric potential difference (V) and the current (I)

Power is measured in Wattage. It is represented by P.

$$1000W = 1 \text{ Kilo Watt (KW)}$$

$$1000KW = 1 \text{ Mega Watt (MW)}$$

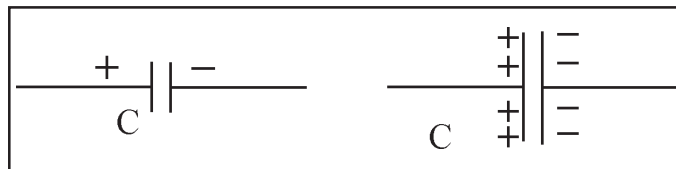
If 100W is printed on the bulb that means that it consumes 100W power per hour.

$$\begin{aligned}
 P &= V \cdot I \\
 100 &= 230 \cdot I \\
 I &= 100/230 \\
 &= 0.44 \text{ A}
 \end{aligned}$$

## 2.6 Capacitor

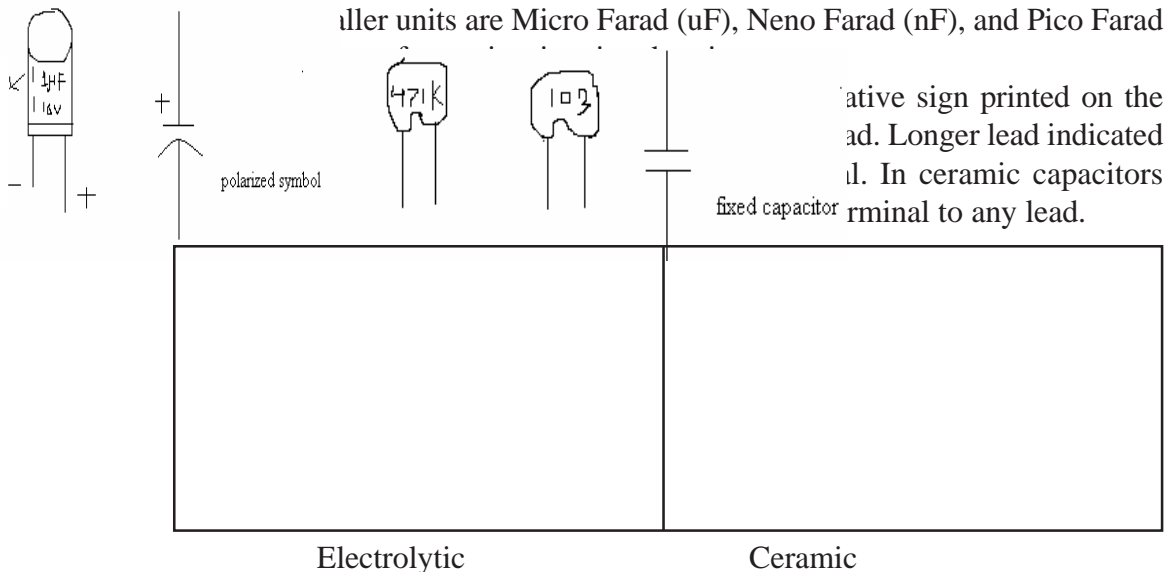
Function of capacitor is to store electrical energy and give it again to the circuit, whenever required. When voltage is applied to a capacitor. It stores charge on its plate. One side stores positive charge and other plate stores negative charge

Symbol for a capacitor is shown below.



**Figure 2.5 Capacitor symbol**

The capacity of capacitor to store electric charge is known as capacitance. It is denoted by C. Capacitance is measured in Farad, but Farad is very large. Smaller units are Micro Farad (uF), Nano Farad (nF), and Pico Farad



**Figure 2.6 : symbol and symbol of capacitor**

### Applications

Capacitors are used for following purposes in LED circuits

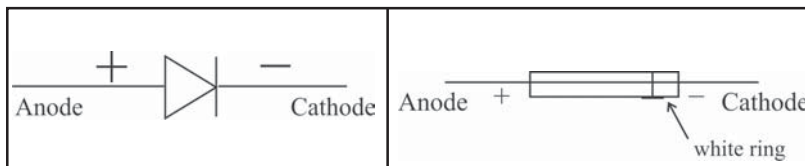
- 1) They are used to store temporary charge.

- 2) It blocks the flow of DC voltage and permits the flow of AC voltage.
- 3) It bypasses (grounds) the unwanted frequencies in emergency lights.

### 2.7 Diode

Diode is a device which allows flow of current only in one direction. When positive voltage is given to the anode and negative voltage given to the cathode, the diode is in forward bias and this means diode will allow current to flows. When we give negative voltage to anode then diode is in reverse bias condition this means diode restricts flow of current.

The symbol of diode is given below.



**Figure 2.7: circuit symbol**

Negative terminal of diode is indicated by white ring.

### Testing diode on multi-meter

Diode gives voltage drop of 0.6V. Follow following steps to test diode on multimeter

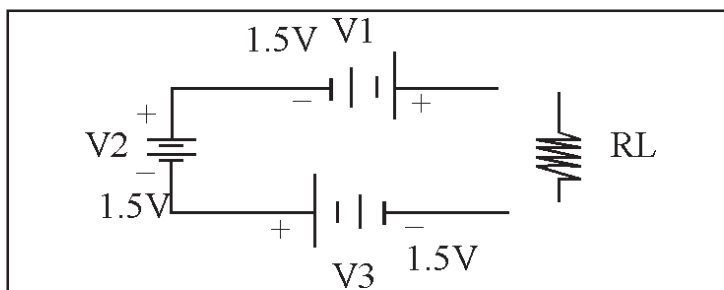
- i) Select 'diode' position on multi-meter.
- ii) Connect red probe of multi-meter to positive terminal (anode) of diode and black probe of multi-meter to negative terminal of the diode. If we get 0.6volt on multimeter, then diode in working condition.

### Application:

Diode are used in circuits to convert ac voltage to dc voltage e.g.: ac/dc power supply, voltage regulator circuit.

### Battery connection:

#### 1) Series connection



**Figure 2.8: - battery connect in series**

Two or more batteries are connected in series to get more voltage. In this connection voltage increases but current flowing through the circuit remains constant.

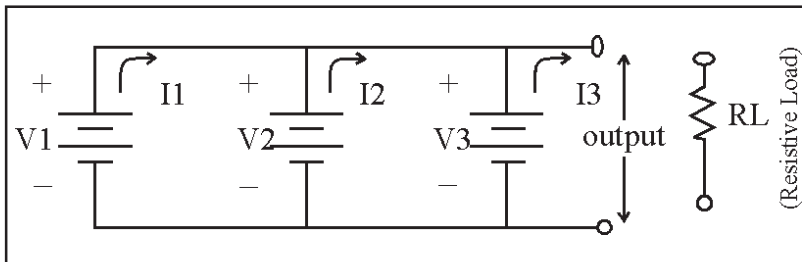
$$V = v_1 + v_2 + v_3 + \dots$$

The one cell voltage is 1.5v; if we connect three cells in series then we get total voltage as given below.

$$\begin{aligned} V &= v_1 + v_2 + v_3 \\ &= 1.5 + 1.5 + 1.5 \\ &= 4.5 \text{ volts} \end{aligned}$$

This is total out put voltage from the series circuit.

## 2) Parallel connection



**Figure 2.9 :- battery connect in parallel**

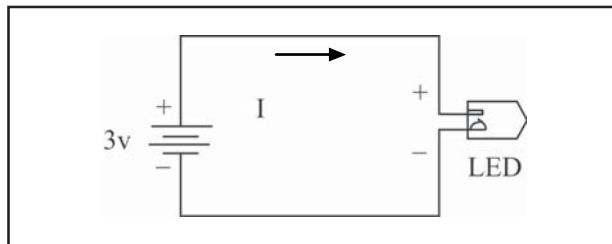
When two or more batteries are connected in parallel form as shown in the figure. Then voltage remains the same. Current flowing through the circuit increases.

$$I = I_1 + I_2 + I_3 \dots$$

## 2.8 Electric Circuits

An electric circuit can be categorized as Basic circuits, parallel circuits and series and parallel combination circuits.

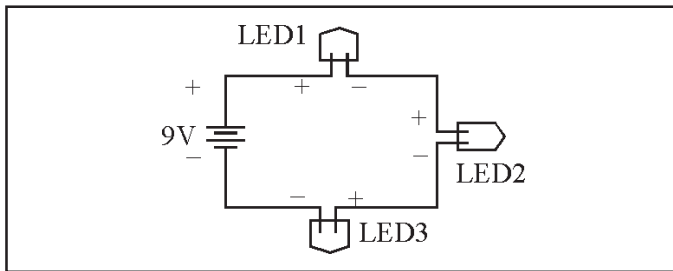
### 1) Basic Circuits:-



**Figure 2.10: - LED connect on battery**

When the 3v battery is connected to the single load/LED then the current will flow from positive terminal through load to the negative terminal of the battery. Suppose you don't connect load (LED) to the battery then current will not flow from the battery.

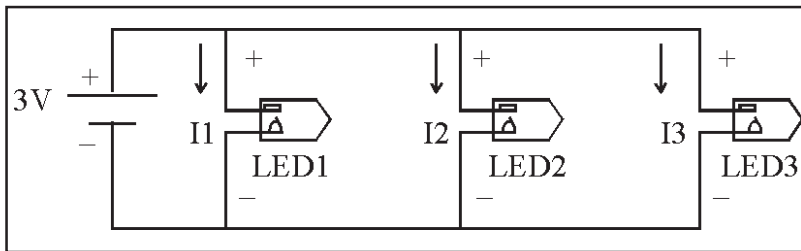
**2) Series Circuit:-**



**Figure 2.11 :- Increase voltage level**

A load are connected one after the other to forms a series circuit. The current flowing through all loads in a series will be the same. Series connection needs more voltage.

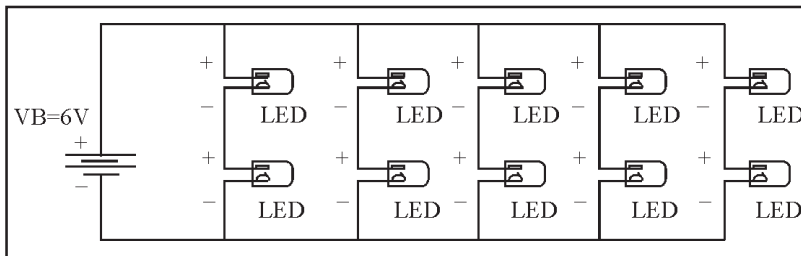
**3) Parallel Circuits:-**



**Figure 2.12: - Increase current capacity**

When LED bulb/load are connected in parallel they will glow brightly with same voltage but more current will be drawn from the battery and battery will get discharged fast. The current from the battery will get divided equally into each of the three branches in this arrangement. This means three times the amount of current will flow from the battery. i.e  $I = I_1 + I_2 + I_3$

**4) Combination of series and parallel:-**



**Figure 2.13: LED connected in series and parallel combination**

It combines both features of series and parallel circuits. The circuits explained above will be used depending on our need. The type of application connected to the battery will decide how fast the battery will gets discharged.

## CHAPTER - 3

### LED Lighting units

---

After studying basic electrical terms and electronics component needed to make LED lighting units. We will learn to assemble LED lights. These chapters will introduce you with standard LED circuits tested at vigyan ashram. You can purchase components as per the part list and starts manufacturing LED lights. You will need following tools before starting assembling LEDs.

- 1) Soldering gun 25 W
- 2) Flux
- 3) Soldering wire
- 4) Cutter
- 5) Wire striper
- 6) Multimeter
- 7) Nose plier

Remember circuits given in the chapter are made with a objective that local electrician from village can assemble LED lights himself. He can also make decorative items based on application of LEDs.

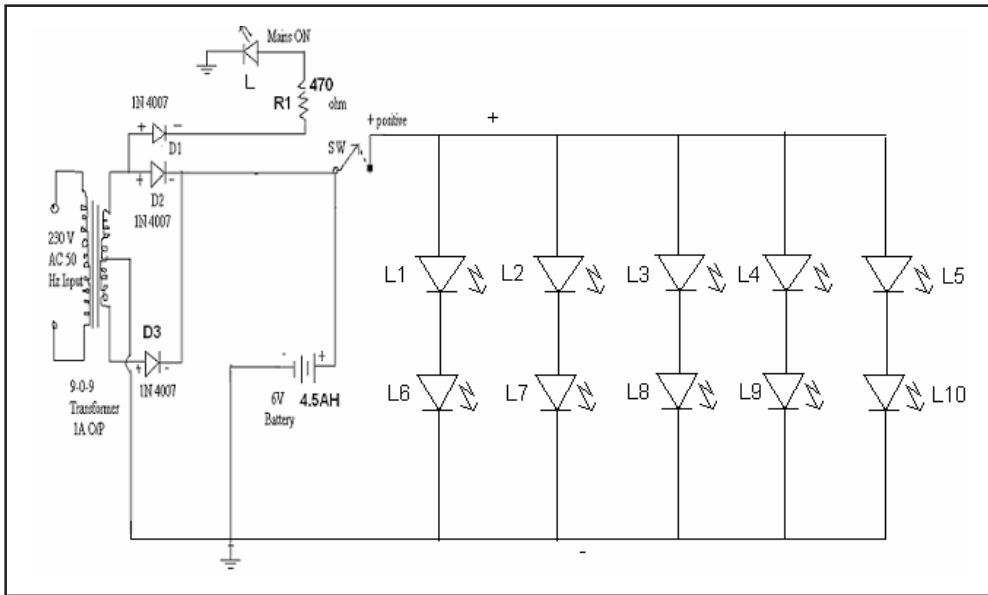
#### **Procedure for making circuits :**

- i) We are given label in part list to all component such as Resistor R, Capacitor C, Diode D, and LED L.
- ii) Take components as per given part list.
- iii) Identify polarity of all components and then mount on Printed Circuit Board (PCB) as per given circuit diagram.
- iv) Soldering procedure :
  - a) Clean the lead
  - b) Apply flux
  - c) Take metal
  - d) Point to solder (be careful)
  - e) Soldering wire, remover insulating cover with the help of pliers.
- v) Fit the casing and switch properly in the unit. Look at the circuit and shape of casing carefully. Standard casing can be purchased from market or from Vigyan Ashram. Standard PCBs for the LEDs are available Vigyan Ashram.

### **3.1 : Emergency Lamp**

#### **Introduction**

This circuit consumes very less power than CFL lamp and incandescent lamp. The lamp takes 8 hours for battery to get charged and gives 28 hrs backup.



**Figure 3.1: - Emergency Lamp**

**Part list**

<b>Component name</b>	<b>Value</b>	<b>Quantity</b>
Diode D1 -D3	1N 4007	3
LED L1- L10	Super flux LED	10
Resistor R1	470 ohm	1
Switch	SPST	1
Battery	6v (4.5AH) Sealed lead acid battery	1
Transformer	9-0-9 v and 1 Ampere output	1
PCB	Circle and square shape	1
LED L	Green	1
Wire	Multi strand	2 meter

**Working of emergency lamp**

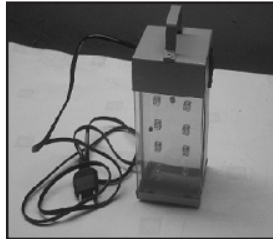
In the emergency lamp 9v charger is used for charging. 6v battery can't be charged with 6v so we have provided a 9v charger. In the lamp single pole single throw (SPST) switch is used for switching lamp ON. This lamp is designed to give 28 hrs backup.

It is advisable not to charge battery more than 8 hours because that affects battery life or there are more chances for damage of battery.



## Features

- 1) It operates on 6V (4.5AH) battery.
- 2) Low power consumption. Consumes up to 0.5 watt.
- 3) It gives backup for 28 hours.
- 4) It can be used by hawkers who do business in late evening.



## Power calculation For Emergency Lamp

Total LEDs used in emergency lamp are 10.

Given Input voltage  $V = 6V$

Current drawn {measured on multimeter reading}  $I = 0.08A$

$$P = V * I$$

$$P = 6V * 0.08 A$$

$$P = 0.48 W \text{ approximately } 0.5 W$$

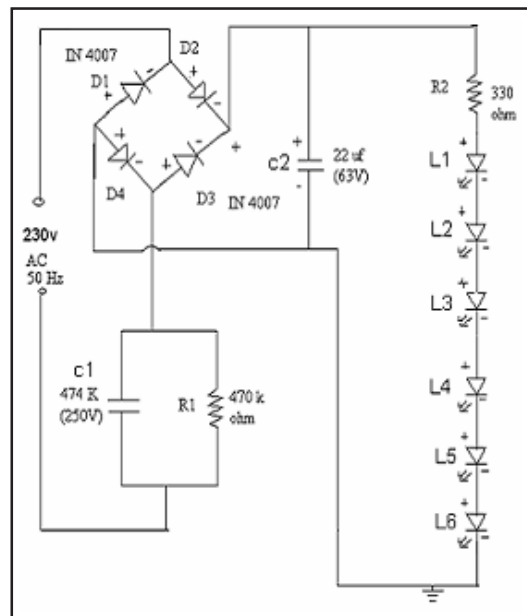
Power consumed by emergency lamp is 0.5 W.

## 3.2: LED AC Lamp

### Introduction

This lamp uses two circuits, one converts AC voltage into DC voltage and second is LEDs circuit. One disadvantage of this circuit is 6 LEDs are in series and if one gets burnt then whole circuit stops functioning. It can be used as a night lamp or as a light source in place kerosene lantern is used. This lamp can be used directly into 230V AC sockets.

**Figure 3.2: Low power LED lamp operates on 230v.**



## Part List

Sr.No.	Component name	Value	Quantity
1	LED L1- L6	Super flux LED	6
2	Diode D1 to D4	1N4007	4
3	Capacitor C1	474k (250v)	1
	C2	22Uf (63v)	1
4	Resistor R1	470k0hm	1
	R2	330 ohm	1
5	PCB	Circle and square shape	1
6	Wire	Multi strand	1



### Working:

230 volt AC input is given to the circuit. Current and voltage is reduced and is given to diode bridge circuit. The diode bridge circuit's main function is to its convert AC voltage into DC voltage and that DC volt is given to LEDs. The LEDs are connected in combination of series and parallel.

### Features

- 1) It operates on 230v AC.
- 2) Low power consumption up to 1 watt.

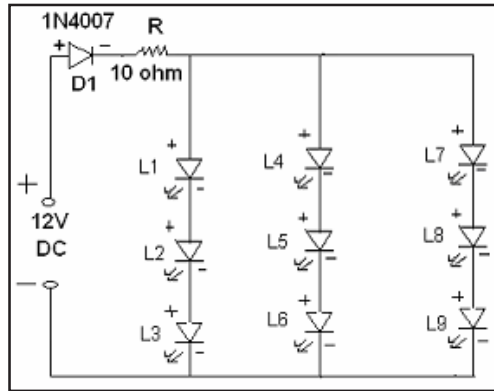
### Application:

- 1) Use as night lamp.
- 2) It can also be used where less light is needed. E.g. -: Toilets
- 3) More use full at the time of loadshedding in rural areas.

### 3.3: 12v DC Lamp

This lamp runs on 12V battery and can be used in solar application. At Vigyan ashram we have installed these lamp systems using 12 v, 7.5AH battery. We get backup of 21hrs for two lamps. It consumes 2 Watts of power.





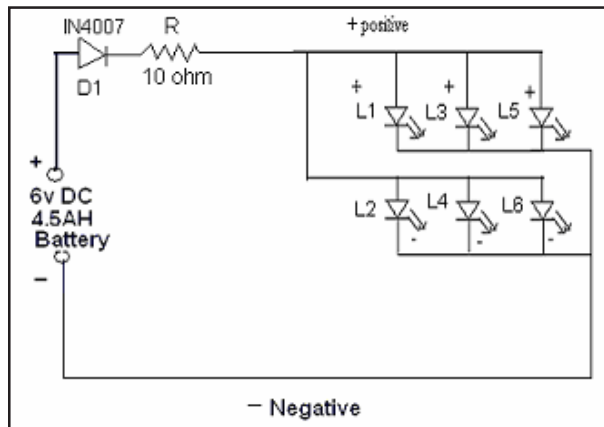
**Figure 3.3: DC lamp (12 Volts)**

**Part List**

Sr.No.	Component name	Value	Quantity
1	LED L1-L9	Super flux LED	9
2	Diode D1	1N4007	1
3	Lead acid Battery	12v (7.5AH)	1
4	PCB	Circle diameter 1.65"	1
5	Wire	Multi strand	1
6	Resistor R	10 ohm 2W	1

**3.4 : 6v DC lamp**

The input 6v is given to the parallel and series combination of LEDs. This circuit does not need diode because one LED requires 3 Volts therefore two LED in series connection require 6v. When one lamp is connected to the battery we can get a backup of 54 hours. This system gets fully charged in 8 hours. The circuits consumes to 0.5Watt power.



**Figure 3.4 :- DC lamp operate on 6v battery**

### Part List

Sr.No.	Component name	Value	Quantity
1	LED L1-L6	Super flux LED	6
2	Lead acid battery	6v & 4.5AH	1
3	PCB	Circle diameter 1.65"	1
4	Wire	Multi strand	½"
5	Diode D1	IN4007	1
6	Resistor R	10 ohm (2w)	1

### 3.5 : 9v DC Lamp

Input 9v is given to the series and parallel combination of LED circuit. These circuits do not need diode. The three LEDs are connected in series; therefore input voltage required is 9v. The number of LEDs connected in series depends upon battery voltage. This lamp light can run continuously about 45 hours and consumes up to 1.5w power.

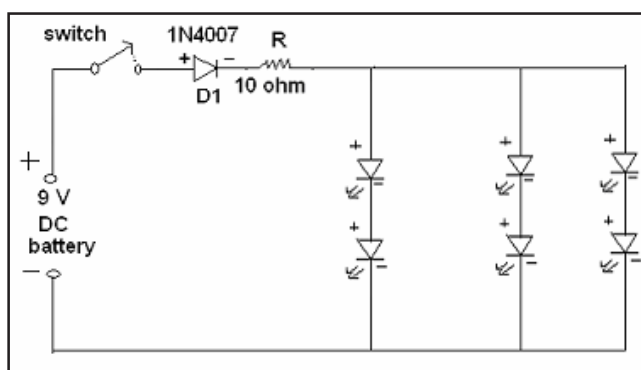


Figure 3.5: 9v DC lamp

### Part List

Sr.No.	Component name	Value	Quantity
1	LED L1-L6	Super flux LED	6
2	PP3 battery	9v	1
3	PCB	Circle diameter 1.65"	1
4	Wire	Multi strand	½"
5	Switch	SPST	1
6	Resister R	10 ohm (2w)	1
7	Diode D	IN4007	1



### 3.6 Torch

#### Introduction

This torch use for general purpose. This torch use two cells, if we want more brightness then connect three cells and one diode connect in series. With two cells we get 3V supply and with three cells, we can get 4.5V supply. Torch works continuously for 50 hrs.

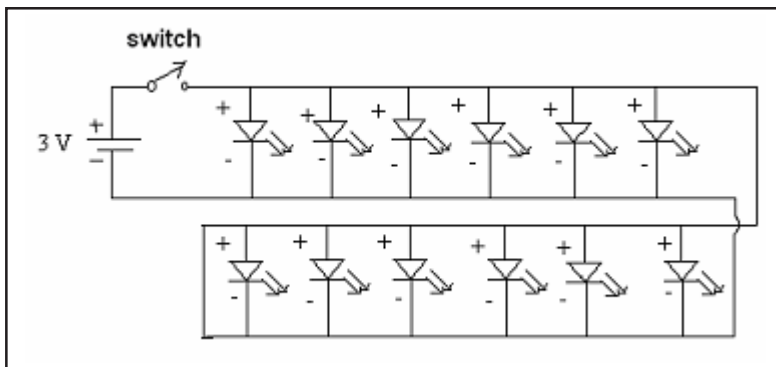


Figure : parallel connection for torch

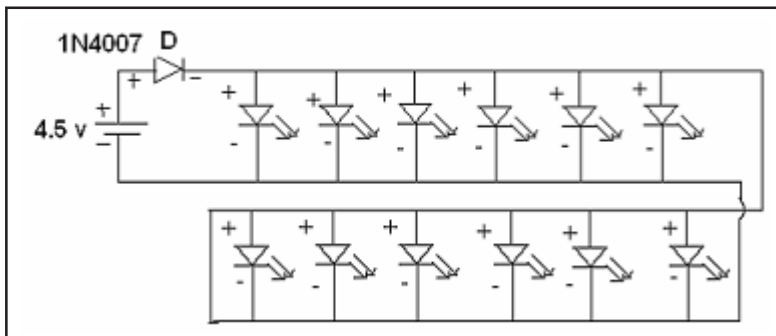


Figure 3.6: parallel connection for torch

### For two cells (3V) Part List

Sr.No.	Component name	Value	Quantity
1	LED	White BBR 5mm	12
2	Cell	1.5v	2
3	PCB	1.5" diameter	1
4	Wire	Multistrand	½ meter

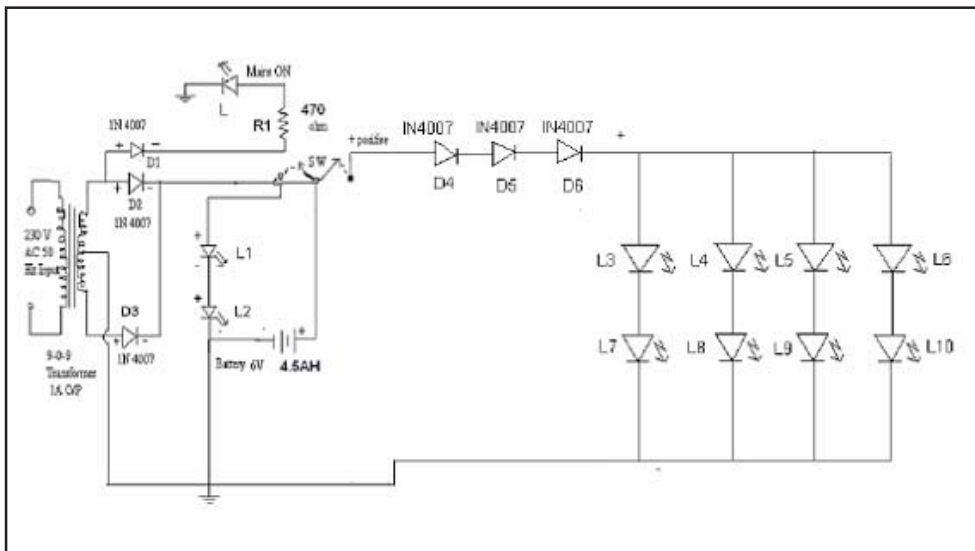
### For three cells (4.5V) Part List

Sr.No.	Component name	Value	Quantity
1	LED	White BBR 5mm	12
2	Cell	1.5v	3
3	PCB	1.5" diameter	1
4	Wire	Multistrand	½ meter
5	Diode D	1N4007	1

### Features

- 1) It operates on 3V and 4.5v.
- 2) Low power consumption. It Consumes up to 0.8 watt.
- 3) It gives backup for 50 hours.

### 3.7 : Torch using Series and Parallel connection



3.7 : Torch using Series and Parallel connection

## Part List

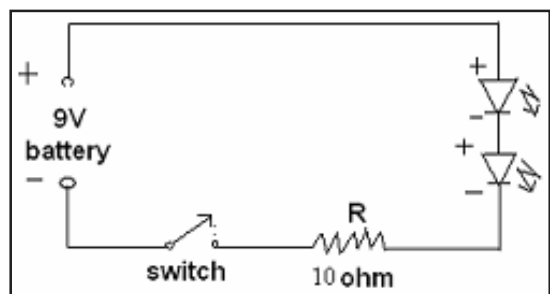
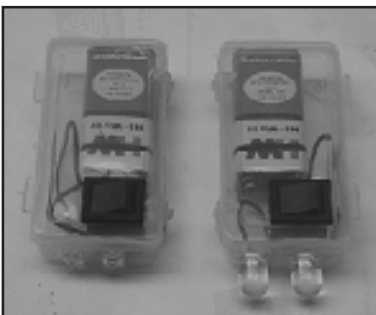
Sr.No.	Component name	Value	Quantity
1	Diode D1-D3	1N 4007	3
2	LED L1-L20	White BBR 5MM	20
3	Resistor R1	470 ohm	1
4	Switch	SPDT	1
5	Lead acid Battery	6v (4.5AH)	1
6	Transformer	9-0-9 v and 1 Ampere output	1
7	PCB	Circle and square shape	1
8	LED L	Green	1
9	Wire	Multistrand	2 meter



### Features

- 1) It operates on 6v lead acid battery.
- 2) Backup of 25 hrs.
- 3) It consumes 0.7watt power.

### 3.8 : Small Torch



**Figure 3.8 :- torch using 9v battery**

## Part List

Sr.No.	Component name	Value	Quantity
1	LED (White) or super flux	White in 10 mm	2
2	Dry battery	9v	1
3	Resistor	10 ohm	1
4	Switch	SPST	1
5	Plastic box	---	1

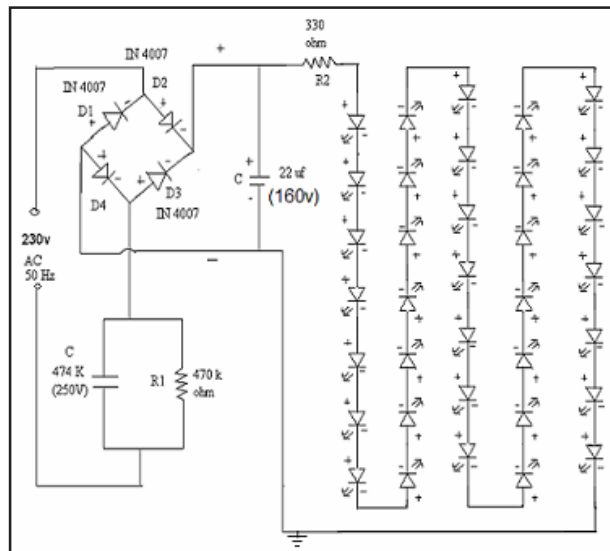
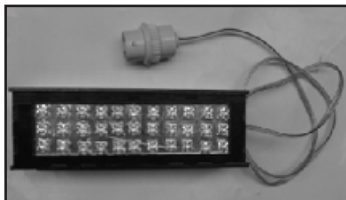
### Feature:-

- 1) It continuously runs for 50 hrs.
- 2) It takes very less power up to 0.8w.

### 3.9 : LED strip

LED strip can be used as tube light or it can also be used as lights for two wheelers. While assembling you can make a LED strip with all LEDs connected in series. Care should taken while doing the connections. Positive of one LED should not be connected to positive of other LED in series connection. Secondly, you can make AC to DC converter circuit. Also carefully observe the diode and capacitor polarity while mounting them on PCB board as per given circuit diagram.

22uf and 160v capacitor is used in the circuit to increase voltage level and give this to 35 LEDs. Only 50 LEDs connect in series this is very important thing in this circuit. One drawback of the circuit is that if one LED gets burned in the circuit then the whole strip will not work. That time you have to check every single LED to detect faulty one.



**Figure 3.9:- LED strip operate on 230 volt.**

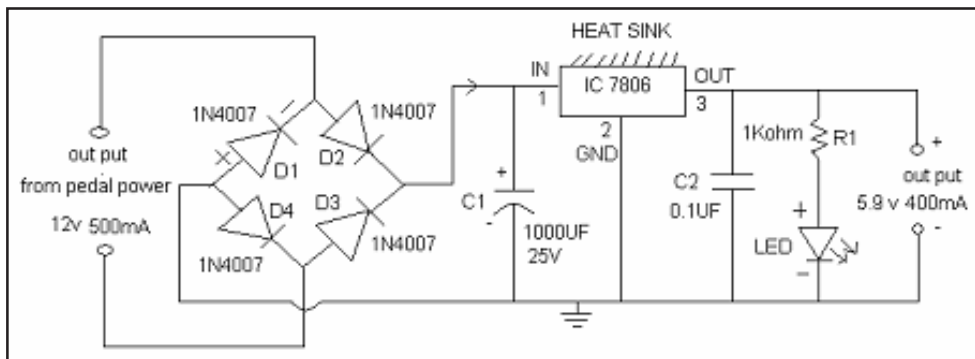


## Part List

Sr.No.	Component name	Value	Quantity
1	LED L1-L35	Super Flux LED	35
2	Diode D1 to D4	1N4007	4
3	Capacitor C1 C2	474k (250v) 22Uf (160v)	1 1
4	Resistor R1 R2	470k0hm 330 ohm	1 1
5	PCB	Circle and square shape	1
6	Wire	multistrand	1

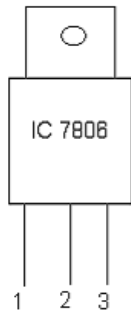
### 3.10 Mobile chargers using pedal power

A mobile phone can be charged using following circuit with the cycle dynamo. A standard dynamo of 12v and 500mA output is use 12v output is step down up to 5.9v and 400mA is given to the cell phone.



**Figure: 3.10 - Mobile charger using pedal power**

## Pin configuration of IC 7806



pin :

- 1 INPUT
- 2 Ground (GND)
- 3 OUT PUT

### Part List

Sr.No.	Component name	Value	Quantity
1	LED	White BBR 5MM	1
2	Diode D1 to D4	1N4007	4
3	Capacitor C1	1000uf (25v)	1
	C2	0.1uf	1
4	Resistor R1	1 k0hm	1
5	PCB	Square 1.5*2"	1
6	Wire	multistrand	½ meter
7	IC (Voltage regulator)	7806	1
8	Dynamo or (12v ac motor)	12v& 500mA	1

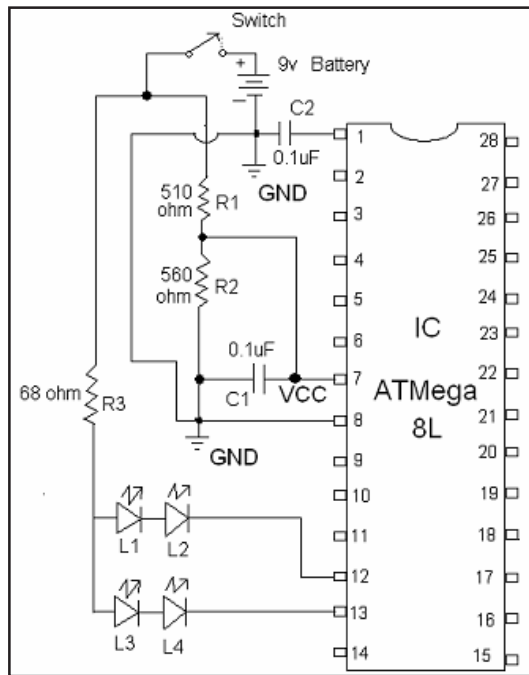
### Features:-

- 1) You can charge battery without grid power.
- 2) Battery charge within 1 hr.
- 3) Output from circuit is 5.9v with 400mA.

### 3.11 Microcontroller use for to drive LEDs

We load program in microcontroller IC and then to drive LEDs also you can different type of to drive LEDs such as running lighting, flashing, and continuous ON etc. use microcontroller

Advantage is program can be change in number of time. We use AVR microcontroller and in this microcontroller program loaded by using AVR studio (cross compiler) software also required hardware (evolution board). First you can write program in any editor such as notepad, WordPad and programmer notepad, and then program to run in AVR studio and then burn in the IC. You can download AVR Studio software [www.atmel.com](http://www.atmel.com) on this web site.

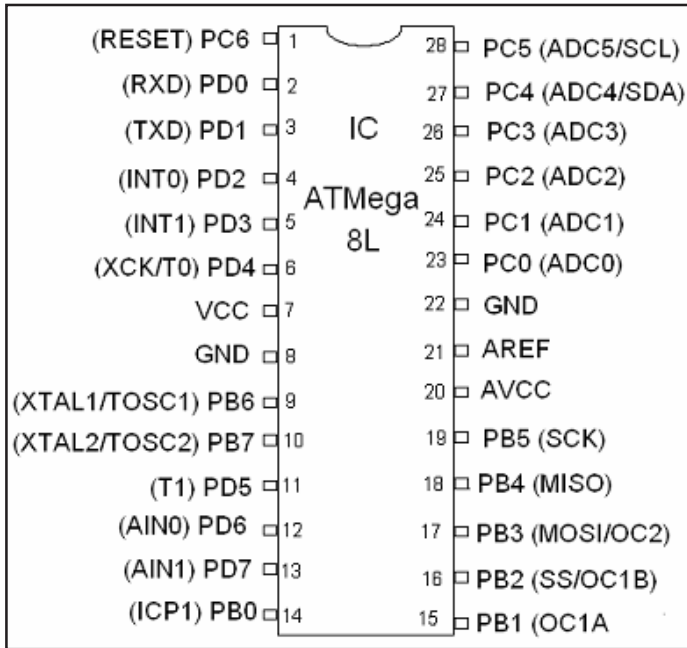


**figure 3.11 : Super flux LED running lighting using AVR Microcontroller.**

#### Part List

Sr.No.	Component name	Value	Quantity
1	LED L1-L4	White BBR 10MM or super flux	4
2	Capacitor C1	0.1uf	1
	C2	0.1uf	1
3	Resistor R1	510 Ohm	1
	R2	560 ohm	1
	R3	68 ohm	1
4	PCB	Square	1
6	Wire	multistand	½ meter
7	IC (AVR Microcontroller)	ATmega 8L	1
8	Battery (pp3)	9v	1
9	IC base	40 or 28 pin	1

#### Pin configuration of IC ATmega 8L



Program for IC ATmega8L

We write Program in assembly language, also you can write another program in assembly or c language.

```
// program in assembly language for to running LED lighting //
.include "m8def.inc"
.cseg
.org 0

ldi r18, low(RAMEND)
out SPL, r18

ldi r18, high(RAMEND)
out SPH, r18

ldi r16, 0b11110000
out DDRD, r16

loop:

ldi r16, 0b01110000
out PORTD, r16
rcall delay
ldi r16, 0b10111000
out PORTD, r16
rcall delay
```

```

ldi r16, 0b11010000
out PORTD, r16
rcall delay

ldi r16, 0b11100000
out PORTD, r16
rcall delay

ldi r16, 0b11010000
out PORTD, r16
rcall delay

ldi r16, 0b10110000
out PORTD, r16
rcall delay

rjmp loop

delay:
ldi r20, 200
again:
    delay1:
        ldi r21, 200

not_yet:
    delay2:
        ldi r22, 10
            again1:
                dec r22
                brne again1
                dec r21
                brne not_yet
                dec r20
                brne again
            ret

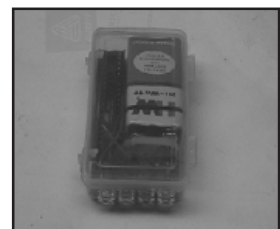
```

**Features:-**

- 1) It takes very less power to drive LEDs.
- 2) The output from microcontroller is very less about 20 mA.
- 3) The constant voltage provide to LEDs.
- 4) You can change in program number of times.

**Applications:-**

- 1) to drive the LEDs.
- 2) The keyboard interfacing on the LCD screen.
- 3) To drive the motors.



## CHAPTER - 4

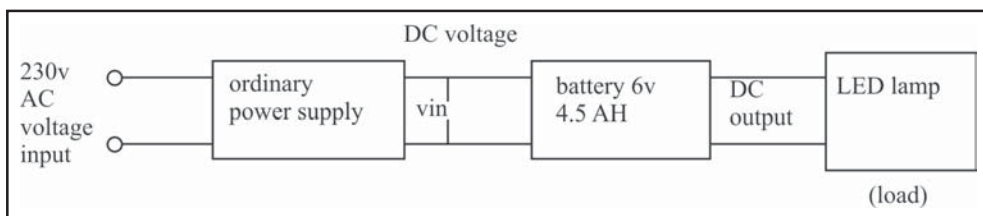
# Charging System

Different sources of power can be used to power LED lights. Following are common sources of power to charge batteries :-

- 1) Grid Power
- 2) Solar Power
- 3) Pedal Power

### 4.1 Grid Power

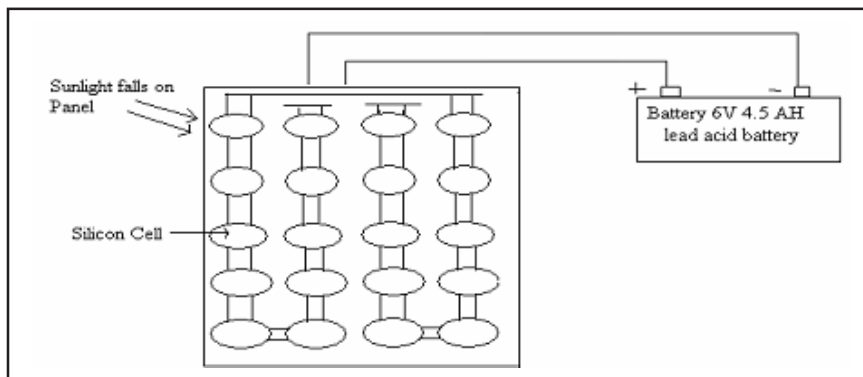
Electric supply from Electricity Company is 230V AC. But all electronics component needs DC supply. To charge batteries from 230AC , a charging circuit is required to convert 230v AC into DC.



**Figure 4.1 Battery charge using grid power**

### 4.2 Solar Power

Batteries can be charged using solar panel. This system is very use full for remote areas tribal areas.



**Figure 4.2 :- Block Diagram of Charge battery from solar Panel**

### Selection of solar panel

You need low LED bulb for 3 hrs a day. This means your power requirement is 30watt per day.

Normally assume you will get 6 hrs of good quality sunlight in a day. i.e. you need solar panel which will give 5W of power.

$$\begin{aligned} \text{Power (p)} &= \text{Battery voltage} * \text{current} \\ 30 &= 6v * \text{current} \end{aligned}$$

5A = Current

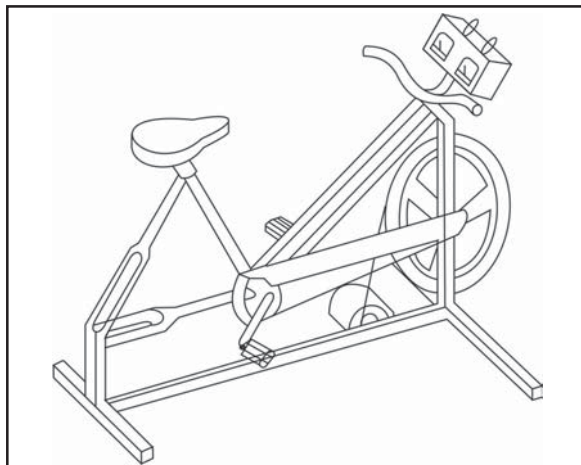
This means we will need battery of 6v and 5AH.

**Table : Different battery charging current rate**

Sr.no	Battery type	Battery voltage	Battery current	Cutoff voltage rating	Over charge voltage	Battery charging current rate
1	Seal lead acid	6v	4.5 AH	5.2V	6.4V	750mA
2	Seal Lead acid	12v	7.5 AH	10.2V	12.4V	1 AMP
3	Lead acid	12v	32AH	10.2V	12.4V	3 AMP
4	Lead acid	12v	65 AH	10.2V	12.4V	5 AMP
5	AA (alarm cell)	1.5V	180mAH	-	1.6V	30mAMP
6	Polymer (mobile battery)	3.6v	720mAH	2.1V	3.8V	180mAMP
7	PP3 (use in multi-meter )	9v	800mAH	7.2V	9.4V	180mAH

### 4.3 Pedal power

A normal human being is capable of generating 60W of power. In the past it was not feasible to use human power to light filament lamps. Since it requires more power . But since LED consumes very little power, its possible to use human power for lighting application.



**Figure 4.3: - pedal power generator**

A Permanent Magnet Generator of 1200-1500 RPM, 6Amp, 12V is suitable for installing on monowheel cycle as shown in the figure. A flywheel is attached to the front wheel to take of variations in pedaling. Such generators can be ordered from Vigyan ashram.

AC alternators used in the automobiles requires high RPM and due to induction it becomes heavier to pedal them. Therefore they are not directly suitable for this application.

A cycle dynamo which can be fitted on normal bicycle gives 6W and 0.5Amp. It can be used for small power application.

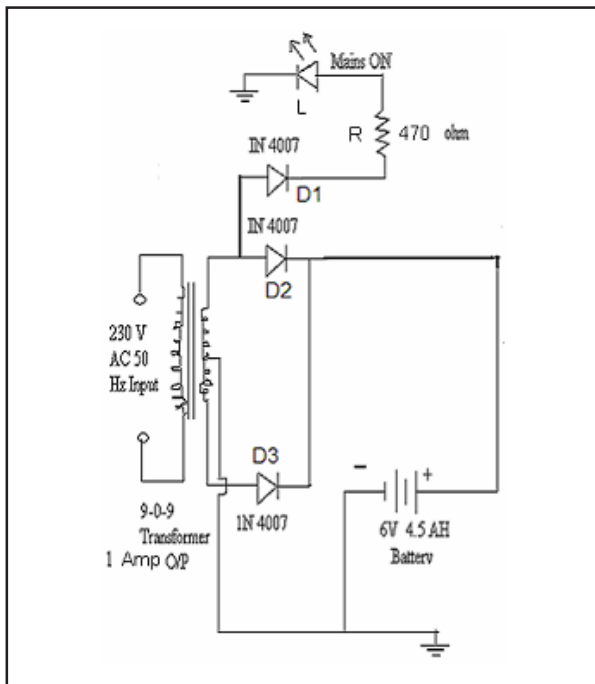
**Following circuit are to control voltage and current for different power systems.**

#### 4.4 Battery Charger

As discussed above for charging batteries from solar/wind/grid or pedal power, we need charger. Battery charger will be different depending on the input and output voltage. The circuit's shows charger to charge batteries for grid power.



**Circuit 1 : Input 230V AC, to charge 6V battery**



**Figure 4.4 :- Battery charger for 6v battery.**



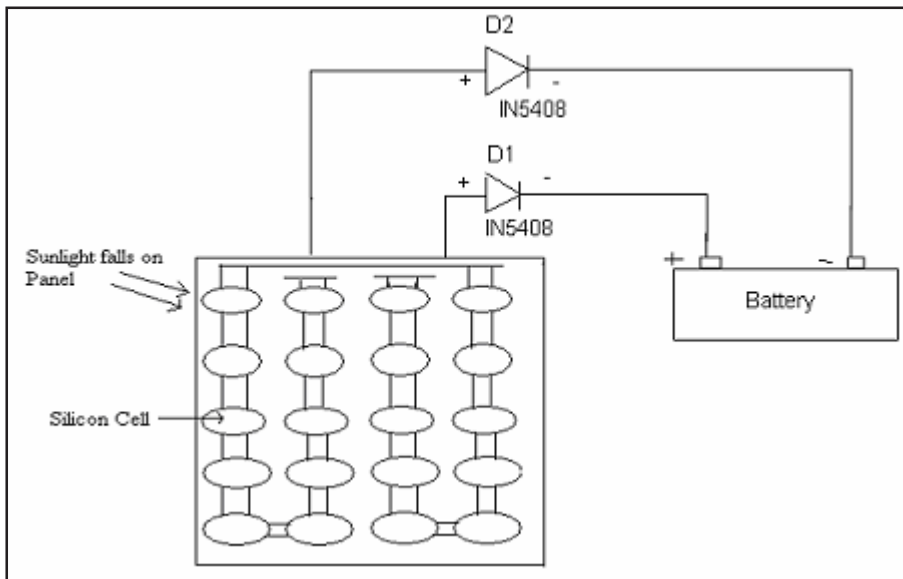
## Part List

Sr.No.	Component name	Value	Quantity
1	Diode D1-D3	1N4007	3
2	Resistors R1	220 ohm	1
	R2	470 ohm	1
4	LED L1	Green 5mm	1
5	Transformer	9-0-9 (1A)	1
6	PCB	2*4 cm	1
7	Wire	Multistrand	1 meter

In this charger transformer is used of 9-0-9v with 1A output. Feature of this charger is indicates mains ON, low battery indication. This charger is only compatible for 6v (4.5AH) batteries.

### 4.5 Solar panel

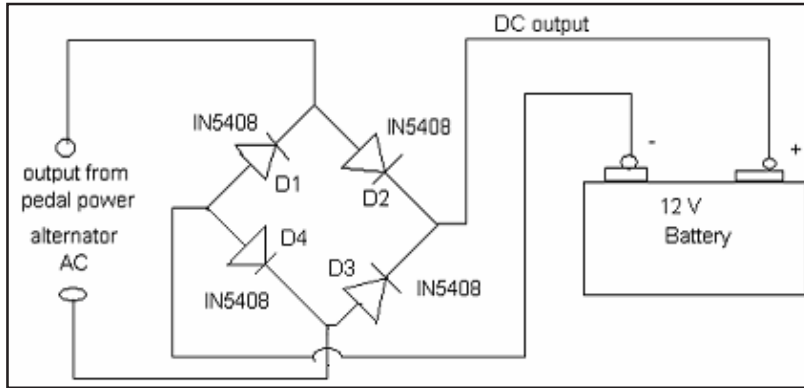
In the market different type of solar panel available any solar panel need power diode their meaning is current rating of diode become up to 6 Ampere, these are use for reveres current protection from battery. When current draw from solar will stop that time current supply from solar panel therefore diode need for solar panel.



**Figure : 4.5 Connection for solar panel**

### 4.6 Pedal power

If you use alternator then need power diode bridge because alternator output get AC , we required DC voltage for battery charging. The diode convert AC voltage into DC voltage. If you use DC generator then didn't need four diode only use one diode for do not reverses current flow from battery.



**Figure 4.6 : Connection for pedal power**

#### Part List

Sr.No.	Component name	Value	Quantity
1	Diode D1-D4	1N5408	4
2	Battery	12v& 65AH	1
3	DC generator	12 v & 5A	1

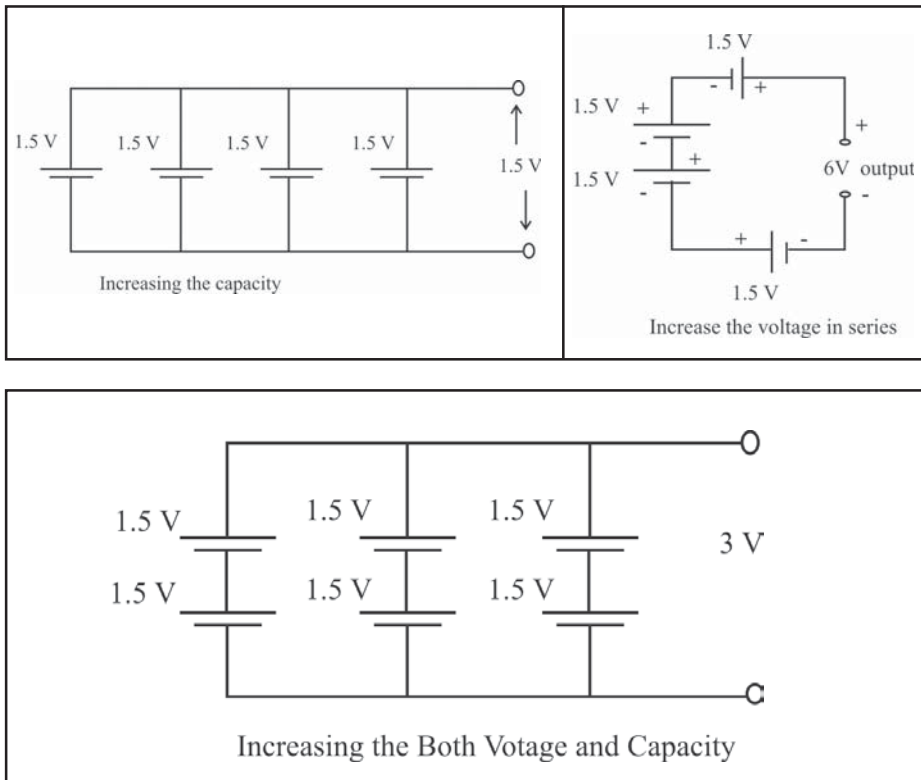
# CHAPTER - 5

## Batteries

### 5.1 Introduction

It is important to know basic about batteries and their maintenance. An electrochemical battery or more precisely a cell is a device which converts chemical energy into electricity energy. Dry cell or battery used in the torch or radio having one time use is example of "primary" cell. In secondary cell, the chemical reaction can be reversed repeatedly. Charging and discharging of cell is possible. Chargeable batteries are example of "secondary" cell.

**Connections :** Batteries can be connected in series and parallel depending on requirement of voltage and current.



**Figure 5.1 Battery Connect in Series and Parallel**

### 5.2 Selection of Batteries

Selection of battery based on application (discuss, what about Ni Cd ... )

No.	Applications	Battery capacity	Name of Battery
1	Radio	1.5v	AAA Cell
2	Lamp	6v	Seal Lead acid
3	Torch	9v	PP3 battery
4	Emergency torch	6v	Seal Lead acid
5	Mobile	3.6v	Polymer

The Ni Cd (Nickel Cadmium) is material use in PP3 9v general purpose battery. The PP3 means it use for portable device.

All type of information get about battery give this link: [www.answers.com](http://www.answers.com)

### How to select correct battery for your work.

First of all, you must get to know your device.

What is device's input voltage (V)

What is its power consumption (wattage).

What is maximum current drain (A).

What is your expected running time by a battery?

- i) Decide battery voltage : Battery pack voltage must be equal or a little higher than your device voltage need. For an exact voltage, which battery pack cannot provide a DC-DC regulator circuit is used. The battery voltage need for UPS is 12v and 7.5AH, for emergency lamp is need 6v and 4.5AH etc.
- ii) Decide battery packs capacity (mAh or AH) : The primary cell capacities indicated in mili Ampere hour (mAh) and secondary cell capacity indicate in Ampere Hours (AH). This indicated amount of current battery can give for one hour. For e.g. 80Amp-hr battery can give 80Amp current for 1 hr.

Battery capacity is depended on how much device's wattage and how long you need to run your device (hours).

Which can be calculated as the follows?

$$(AH) = \frac{\text{Device's wattage (W)} * \text{Time to run (Hours)}}{\text{Battery Voltage}}$$

For Example : For calculating battery capacity to use 9 watts LED device for 10 hours with 12V battery. Battery capacity is calculated as follows :

Battery voltage is 12v,

Time = 10 hours and device's wattage = 9w.

You can calculate current capacity of battery by using given formula as the follows:

$$(AH) = \frac{\text{Device's wattage (W)} * \text{Time to run (Hours)}}{\text{Battery Voltage}}$$

$$AH = 10 * 10 / 12$$

$$AH = 7.5$$

Battery of 7.5AH current capacity is required.

- Before ordering batteries you must pay attention on maximum discharging rating on the specification or description.
- You must find out maximum discharging current of the device. If its not available it can be measured by a multi-meter.
- Maximum discharge rate printed on batteries must be higher than needed by device.

### Secondary cell



### Primary cell



## 5.3 Maintenance of Batteries

- Avoid over charge and over discharge of batteries. This will increase battery life.
- For sealed maintenance free lead acid batteries, no need to worry about distill water level only ensure you have battery protection circuit and you should keep minimum hours for battery charge.
- For normal lead acid batteries, check distill water level. The distill water level check by gravity meter.
- Insert gravity meter into battery liquid. Distill water in the battery will be absorbed by gravity meter. If distill water indicate on gravity meter 10.2mm for 12v battery then battery is discharged. If levels on gravity meter indicate 12.2mm then battery is fully charged.
- Battery life will increase if you check and maintain distill water level after every 3 month.

### Safety Precautions

- According to electric appliance indication please connect battery positive pole and Negative pole correctly.
- Do not charge primary battery i.e. Dry cell.
- Do not heat or disassemble the battery even put it into fire or water.
- If finding exceptional conditions, such as leakage, crack, please stop using the battery immediately.

- Always use charger with automatic power cut-off function when battery is full.
- Never use NiMH battery charger for Li-ion battery pack, it will cause battery exploded.
- Always charge your battery with attention.

#### **5.4 Testing of Batteries**

- Overcharge
- Under charge (over discharge)

##### **Over Charge**

The full charged battery voltage is 12.6v for 12v batteries. When battery voltage reach up to 12.6v then battery charging should be stopped immediately. This is maximum cut off point for fully charged battery.

For 6v batteries, their cut off voltage is 6.4v.

##### **Over Discharge**

When voltage level goes down below cut off voltage, battery is called over discharge. For 12v batteries cut off point is 10.2v. For 6v batteries cut off point is 5.2v.

Batteries should not be used below cut off point voltage.

## APPENDIX

### Electric Bill Calculation

To calculate electrical bill by using KWH method. KWH = Kilo Watt Hours

KW = kilo watt

H = Hour

1000 mw = 1 W

1000 W = 1 KW

Formula = 1000W \* 1 H = 1 unit

Kilo Watt \* Hour \* Day = unit \* Rate = Bill

If 1000 watt is consumed by any equipment in hour then 1 unit of electricity gets consumed.

Example : If 4 Tube light are ON for 8 hours a day and per tube light electricity consumption is 40W, 12 bulbs are ON for 2 hours per day and per bulb consumption is 200W and 1 LED lamp is ON for 12 hours a day and consumes 2W power. Then you can calculate using above data electricity bill for one month.

Per day power consumption

- 1) Tube lights : 4 tube lights \* 40 Watt per tube \* 8 hrs per day = 1280 W
- 2) Bulbs : 12 bulbs \* 200 Watt per bulb \* 2 hrs per day = 4800W
- 3) LED Lamp : 1 lamp \* 2 Watt per lamp \* 12 hrs a day = 24 W

Total power consumption per day = 1280 + 4800 + 24 = 6104 Watt

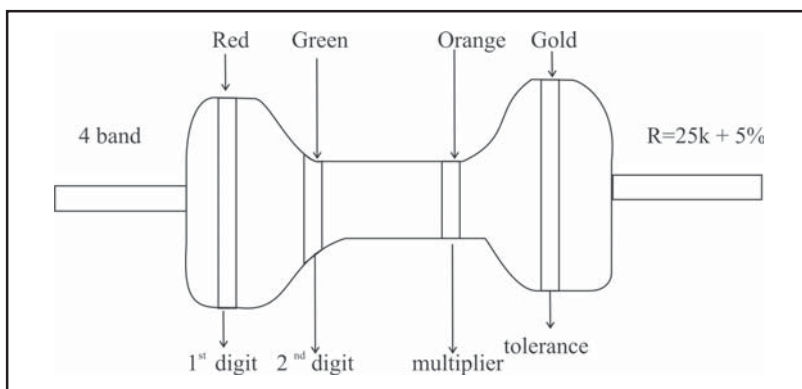
Power consumption in 30 days in a month = 6104 \* 30 = 183120 watt

i.e 183120 / 1000 = 183.12 KW

### Understanding Resistor Label

#### Metal Oxide and carbon film :

\* 4-Band



## How to calculate resistor value

Color	Red	Green	Orange	Gold
Values from Table	2	5	3	5%

Resistor (R) =  $25 \times 1000(1K) = 25000 = 25Kohm$  and 5% tolerance

## Colour Map

Black	Brown	Red	Orange	Yellow	Green	Blue	Violet	Grey	White
0	1	2	3	4	5	6	7	8	9

You can calculate resistors values from above table.

## Internet resources for the LED

The following web sites provide useful information about LED.

- 1) [www.kwalityindia.com](http://www.kwalityindia.com)
- 2) [www.globalsources.com](http://www.globalsources.com)
- 3) [www.superbrightleds.com](http://www.superbrightleds.com)
- 4) [www.ledsupply.com](http://www.ledsupply.com)
- 5) [www.eled.com](http://www.eled.com)
- 6) [www.globalspec.com](http://www.globalspec.com)
- 7) [www.howstuffwork.com](http://www.howstuffwork.com)
- 8) [www.electronics-lab.com](http://www.electronics-lab.com)
- 9) [www.candlepowerforums.com](http://www.candlepowerforums.com)

## Batteries Manufacturer

- 1) M.S. Enterprises  
Address : 14/4 Anand Industrial Estate, Anand Nagar, Bhosari, Pune-26.  
Tel.No. : 20-27124324
- 2) Sanvin Enterprises  
Address : 408/1, Gultewadi, Swargate, Pune-Satara Rd., Pune-37.  
Tel.No. : 20-24267182 / 24272049

## Battery Wholesaler

- 1) Alight Enterprises  
Address : 508 Budhwar Peth, Opp. Trao Shop Lane, Pune.

## Solar Panel Manufacturing

- 2) Ecosolar Systems (India) Ltd.  
Address : 177a/2, Pune-Sinhgad Rd., Parvati, Pune-30.  
Tel. No. : 20-4336999/4330442
- 3) Machinocraft (pune) Pvt. Ltd.  
Address : 15/4A, Vasudeo Estate, pune satara rd, Pune-43.  
Tel. No. : 020-4371457
- 4) Bonduct Processors Pvt. Ltd.  
Address : Prerana 21, 44/2 Amar Soc., Erandwara, Pune-4.  
Tel. No. : 020-5437843.

## All type of electronic components wholesaler

- 1) Pioneer Electronics  
Address : 508 Budhwar Peth, Opp. Lane of Dena Bank, Pune-02.



Tel. No. 020-24458257, Fax- 24495336

Email : pioneer\_tech@vsnl.net                      Web : www.pioneerpune.info

2) Trinity Electronics

Address : Soba Market, Ground floor, 463/64, Budhwar Peth, Pune.

Tel. No. : 020- 66019647

Email : trinitielectronic@hotmail.com

3) Gala Electronics (VEGAKIT available )

Address : 20, 1st Floor Kalpana Building,  
357, Lamington Road, Mumbai-07.

Tel. No. : 022-23879562, 23854510, 23823550

Email : vega63@vsnl.com

Web : www.vegakitindia.com

### Plastic cabinet wholesaler

1) Monoj Trading Corporation.

Address : Shop No. 14, Soba Market, 463 Budhwar peth, Pune-02.

Tel. No. : 020-24483964, Mobile: - 9822421042.

2) Hemil Plastics

Address : 1019, Budhwar peth, Opp. Shukarwar Peth Police Chowki Lane,  
Opp. Shrinath Talkies, Pune-2.

Tel. No. : 020-24472146

### 4.8 Comparisons

In the given table the incandescent, CFL and LED lamp light out put is same of 200 luminous flux (lm), but power consumption is different CFL consume  $\frac{1}{4}$  watt power than incandescent bulb and LED lamp consume  $\frac{1}{3}$  watt power than CFL.

The 60w bulb light out put is 600 to 700 (lm) same luminous output from CFL & LED Lamp but power consumption is different.

Sr.no	Luminous flux light output	Incandescent	CFL	LED Lamp
1	200 lm	25W	5-6 W	1.8-2W
2	450 lm	40W	8W	6W
3	600-700 lm	60W	14W	12W
4	950 lm	75W	18-20W	-
5	1200 lm	100W	20-25W	-
6	1600 lm	125W	26-30W	-
7	1900 lm	150W	35-42W	-

We have made CFL at Vigyan Ashram in Pabal. It is features such as, when burn PL tube that time you can easily replace, the one of the component burn in CFL lamp that component can be easily available in the market.

# - मराठी -

## अनुक्रमणिका

	पृष्ठ क्रमांक
<b>प्रकरण पहिले : एलईडीची तोंडओळख</b>	<b>४४</b>
१.१ प्रस्तावना	
१.२ एलईडी म्हणजे काय	
१.३ प्रकाशाचा तुलनात्मक तक्ता	
१.४ एलईडीचे फायदे व तोटे	
<b>प्रकरण दुसरे : विद्युतविषयक मूलभूत संकल्पना</b>	<b>४७</b>
२.१ विद्युतप्रवाह(कंटर)	
२.२ व्होल्टेज	
२.३ रेजिस्टर	
२.४ ओहमचा नियम	
२.५ विद्युत शक्ती (इलेक्ट्रिक पॉवर)	
२.६ कॅपॅसिटर	
२.७ डायोड	
२.८ विद्युत परिपथ (इलेक्ट्रिक सर्किट)	
<b>प्रकरण तिसरे : एलईडी दिव्यांचा वापर करून तयार केलेली विविध उपकरणे</b>	<b>६९</b>
३.१ इमर्जन्सी दिवा	
३.२ ए.सी. (AC) विद्युतप्रवाहावर चालणारा दिवा.	
३.३ बारा व्होल्ट बॅटरीच्या डी.सी. (DC) विद्युतप्रवाहावर चालणारा दिवा.	
३.४ सहा व्होल्ट बॅटरीच्या डी.सी. (DC) विद्युतप्रवाहावर चालणारा दिवा.	
३.५ नऊ व्होल्ट बॅटरीच्या डी.सी. (DC) विद्युतप्रवाहावर चालणारा दिवा.	
३.६ विजेरी (टॉर्च)	
३.७ एकसर व समांतर जोडणी करून तयार केली विजेरी	
३.८ लहान विजेरी	
३.९ एलईडी दिव्यांची पट्टी	
३.१० मोबाईल चार्जर	
३.११ मायक्रोकंट्रोलर वापरून एलईडीची र्नींग लाईटींग	
<b>प्रकरण चौथे : चार्जिंग करण्याच्या पध्दती</b>	<b>७४</b>
४.१ विद्युत ऊर्जा	
४.२ सौर ऊर्जा	

- ४.३ पेडल पॉवर
- ४.४ बॅटरी चार्जर
- ४.५ सौर विद्युत घट
- ४.६ पेडल पॉवर चार्जर

### प्रकरण पाचवे : बॅटरी

७४

- ५.१ बॅटरीची जोडणी
- ५.२ बॅटरीची निवड
- ५.३ बॅटरीची देखभाल
- ५.४ बॅटरीची तपासणी

### संदर्भ सूची

७८

- ❖ वीजबिलाची किंमत काढणे.
- ❖ रेजिस्टरवरील (Resistance) रंगपट्टी ओळखणे.
- ❖ रंगपट्टीवरून रेजिस्टरची किंमत ओळखणे.
- ❖ एलईडी संदर्भात इंटरनेट वरून माहिती मिळणारी संकेतस्थळे.
- ❖ बॅटरीचे निर्माते.
- ❖ बॅटरीचे होलसेल विक्रेते.
- ❖ सौर विद्युत घटांचे निर्माते.
- ❖ विद्युत उपकरणांमधील सर्व प्रकारच्या घटक भागांची विक्री करणारे होलसेल विक्रेते.
- ❖ प्लास्टिक बॉक्सचे विक्रेते.

प्रकरण पहिले  
एलईडीची तोंडओळख

१.१ प्रस्तावना

खालील प्रकारचे दिवे विद्युत ऊर्जेचे प्रकाश ऊर्जेत रूपांतर करण्यासाठी वापरले जातात.

- १) **तार गरम होऊन प्रकाशमान होणारे दिवे (Incandescent Lamp):** या प्रकारच्या दिव्यांमध्ये टंगस्टनची तार वापरली जाते. तेव्हा विद्युतप्रवाह टंगस्टनच्या तारेतून वाहतो तेव्हा ही तार गरम होऊन प्रकाशित होते. ही टंगस्टनची तार काचेच्या निर्वात बल्बमध्ये बंद केलेली असते. या बल्बमध्ये ऑरगॉन, क्रिप्टॉन किंवा नायट्रोट इ. वायूंनी भरलेले असतात. हे वायू प्रकाश दूरवर पसरवतात आणि टंगस्टनची तार जळू देत नाहीत.

प्रकाशाची तीव्रता ल्युमेन्स या एककात मोजतात. या प्रकारचे २५ वॉटचे दिवे २०० ल्युमेन्स इतका प्रकाश देतात. तसेच या दिव्यांचा उपयोग प्रकाशाचा स्रोत म्हणून केला जातो.

- २) **सीएफएलचे दिवे (Compact Fluorescent Lamp) :** विद्युत ऊर्जेची बचत करणारे दिवे म्हणून हे दिवे ओळखले जातात. तसेच हे दिवे आपल्या साध्या बल्बच्या सॉकेटमध्येही बसतात. तसेच सीएफएलचे दिवे जास्त दिवस टिकतात व वीजेची बचतही करतात. जवळजवळ ५०० तासांच्या वापरामध्ये सीएफएलच्या दिव्यांची किंमत वसूल होते. तसेच १५ वॉटचा सीएफएलचा दिवा, ६० वॉटच्या नेहमीच्या बल्बएवढा प्रकाश देतो. (जवळपास ९०० ल्युमेन्स किंवा ६० ल्युमेन्स प्रति वॉट)

- ३) **निऑनचे दिवे :** निऑनच्या दिव्यांमध्ये निऑन वायू कमी दाबाखाली भरलेला असतो. या प्रकारचे निष्क्रिय वायू दिव्यांमध्ये वापरल्यामुळे दिव्यापासून वविध रंगांचा प्रकाश मिळविता येतो. छोटीशी AC किंवा DC विद्युतप्रवाह या दिव्यांमधून सोडला तरी या दिव्यांमधून नारंगी ते लाल रंगाचा प्रकाश मिळतो.

- ४) **एलईडी दिवे (Light Emitting Diodes) :** एलईडी म्हणजे असे डायोडस की जे प्रकाश बाहेर टाकतात. एलईडी चा वापर केलेली विद्युत उपकरणे सध्या बाजारामध्ये खूप लोकप्रिय आहेत. एलईडी दिव्यांना एतर प्रकाश देणाऱ्या विद्युत उपकरणांपेक्षा कमी विद्युत ऊर्जा लागते. फार पूर्वीपासून इलेक्ट्रॉनिक उपकरणांमध्ये एलईडी दिव्यांचा वापर केला जातो आहे. एलईडी दिवे विविध रंगांचे असतात. उदा. लाल, पिवळा, हिरवा व विविध रंगी. त्यांचा इलेक्ट्रॉनिक उपकरणांमध्ये दर्शक (Indicators) म्हणून उपयोग केला जातो.

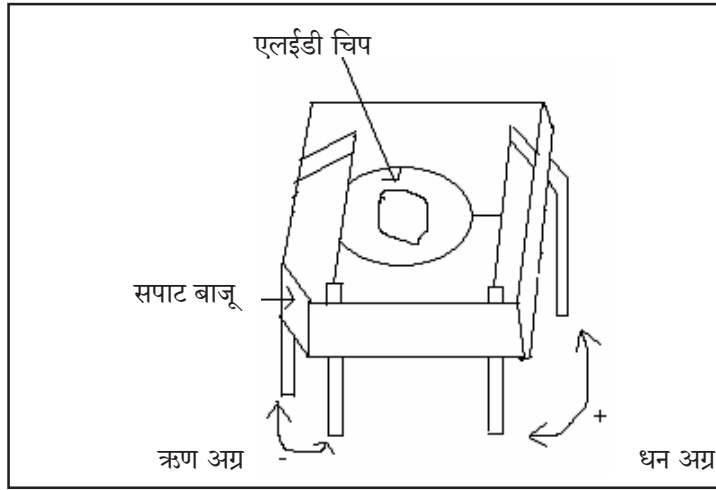
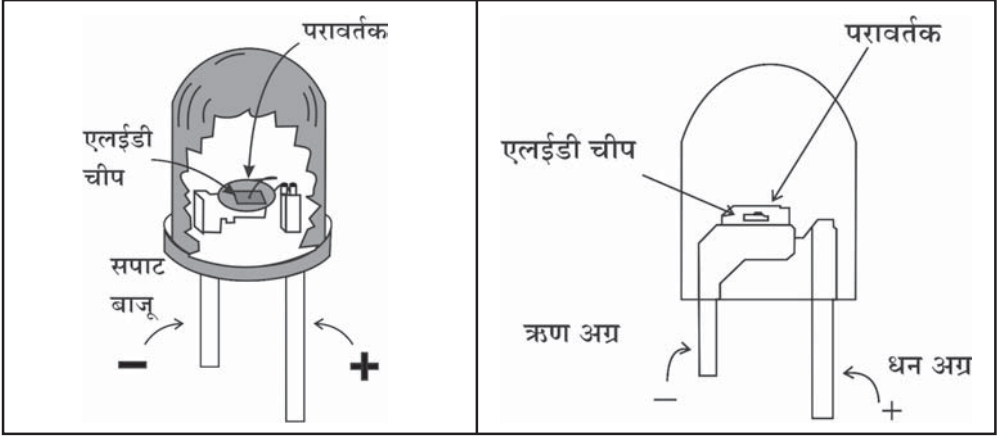
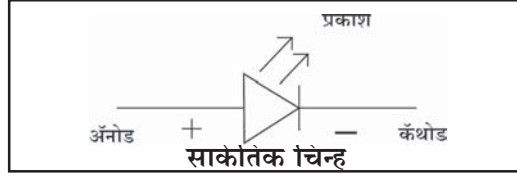
सध्या आधुनिक तंत्रज्ञानाचा वापर केल्यामुळे पांढरे शुभ्र सुपर फ्लक्स एलईडी दिवेपण बाजारात उपलब्ध आहेत. पांढऱ्या शुभ्र सुपर फ्लक्स एलईडी दिव्यांमुळे जास्त प्रकाश मिळतो व कमी विद्युत शक्ती वापरली जाते. म्हणून सध्या एलईडी दिव्यांचा उपयोग प्रकाशाचे स्रोत म्हणूनही केला जातो आहे.

एलईडी दिव्यांचा वापर कॅल्क्युलेटरच्या पडद्यावरील अंक दाखविण्यासाठी टेलिव्हीजन, संगणक इत्यादी सारख्या इलेक्ट्रॉनिक उपकरणांमध्ये दर्शक (Indicators) म्हणून केला जातो. तसेच बल्बनिर्मिती, विजेच्यांची (टॉर्च) निर्मिती, वाहतुकीसाठीचे सिग्नलचे दिवे, रस्त्यावर दिवे यसारख्या अनेक ठिकाणी भरपूर प्रमाणात उपयोग होताना दिसतो.

१.२ एलईडी

एलईडी दिवा म्हणजे प्रकाश बाहेर टाकणारा डायोड. जेव्हा एलईडी दिव्यामधून विद्युतप्रवाह वाहतो तेव्हा तो फोटॉन्स बाहेर टाकतो. हेच फोटॉन्स प्रकाश बाहेर टाकतात. ज्याप्रमाणे साध्या बल्बमधील टंगस्टनची तार गरम होण्याची गरज असते तशी एलईडी दिव्यामध्ये गरज नसते. म्हणून एलईडी दिवा जळण्याची शक्यता खूप कमी असते.

एलईडी दिव्याचे सांकेतिक चिन्ह खालीलप्रमाणे आहे.



### सुपर फ्लक्स एलईडीची आकृती

एलईडीचे धन टोक व ऋण टोक त्याला असलेल्या दोन तारांच्या लांबीवरून ओळखता येते. त्या दोन तारांपैकी जी तार लांब असते, ती धन व जी तार अखूड असते ती ऋण. सुपर फ्लक्स एलईडी चौकनाची एक बाजू सपाट असते, ती बाजू ऋण टोक आहे.

### १.३ प्रकाशाचा तुलनात्मक तक्ता

खालील तक्तामध्ये प्रकाशासाठी वापरल्या जाणाऱ्या विविध साधनांच्या प्रकाशाची तुलनात्मक माहिती दिली आहे. ही माहिती पांढरे शुभ्र एलईडीचे दिवे हे अधिक प्रकाश देणारे व जास्त काळ टिकणारे असल्याचे सांगते.

क्र.	दिव्याचा प्रकार	रॉकेलचा दिवा	तार गरम होऊन प्रकाश देणारा बल्ब	फ्लुरोसेंट ट्यूब	पांढरेशुभ्र एलईडी
१.	प्रकाशाची प्रखरता (ल्युमेन्स वॉट)	0.03	5-18	30-79	25-50
२.	सरासरी आयुष्य (तास)	रॉकेलच्या पुरवठ्यावर अवलंबून	1000	6500-15000	50000
३.	टिकाऊपणा	नाजूक व धोकादायक	अतिशय नाजूक	अति नाजूक	टिकाऊ
४.	वीजेचा वापर (ताशी)	0.04-0.06 लिटर पर ताशी	5 वॉट	4 वॉट	1 वॉट

(माहिती : [www.users.tpg.com.au/users/robkemp/Power/Consumption Tables.htm](http://www.users.tpg.com.au/users/robkemp/Power/Consumption%20Tables.htm), [www.thrive.in](http://www.thrive.in) यावर उपलब्ध)

#### १.४ एलईडीचे वापराचे फायदे व तोटे

##### एलईडी दिवे वापराचे फायदे

१. रंगांमधील वैविध्य : बाजारामध्ये एलईडी अनेक रंगांमध्ये उपलब्ध आहेत. उदा. जांभळा, निळा, पिवळा, हिरवा, नारंगी, लाल तसेच पांढरा.
२. प्रखरता : एलईडी दिव्यांची प्रखरता इतर बल्बपेक्षा जास्त असते तसेच या दिव्यांसाठी कमी वीज लागते.
३. कमीत कमी देखभाल : एलईडी देखभाल करण्याची गरज नसते. त्यांचे सरासरी आयुष्य १०००० तासांचे असते.
४. टिकाऊपणा : एलईडी दिवे फुटण्याचा धोका नसतो.
५. व्होल्टेजमध्ये होणाऱ्या कमी-जास्तपणामुळे पडणारी ठिणगी येथे पडत नाही.

##### एलईडी वापरातील तोटे

१. एलईडी दिव्यांची प्रकाश पसरवण्याचा कोन कमी असतो.
२. एलईडी दिव्यांकडे जास्तवेळ एकटक पाहिल्यास डोळ्यांना अपाय होऊ शकतो.

प्रकरण दुसरे  
इलेक्ट्रिकलमधील मूलभूत संकल्पना

या प्रकरणामध्ये आपणास इलेक्ट्रिकलमधील विविध संकल्पना उदा. विद्युतप्रवाह (करंट), व्होल्टेज (व्होल्टेज), ओहमचा नियम, विद्युत शक्ती तसेच ए.सी. (AC) व डी.सी. (DC) विद्युतप्रवाह यांविषयी आपण माहिती करून घेणार आहोत.

### २.१ विद्युतप्रवाह (करंट)

जेव्हा विद्युतवाहक तारेचे एक टोक विद्युतस्रोताच्या धन विद्युत प्रभारास व दुसरे टोक ऋण प्रभारास जोडतो. तेव्हा विद्युतवाहक तारेतून इलेक्ट्रॉनच्या ऋण टोकाकडून धन टोकाकडे होणाऱ्या वहनाला विद्युतप्रवाह असे म्हणतात. विद्युतप्रवाहाचे एकक अँपीअर हे आहे. विद्युतत्त्वाह I या सांकेतिक चिन्हाने दाखवितात.

#### विद्युतप्रवाहाचे प्रकार :

१) डी.सी. विद्युतप्रवाह (Direct Current - DC) : वाहकातून विद्युतप्रवाहाच्या एकाच दिशेने होणाऱ्या वहनाला डी.सी. विद्युतत्त्वाह म्हणतात. रासायनिक उर्जेचे विद्युतउर्जेत रूपांतर होताना डी.सी. विद्युतप्रवाह निर्माण होते. तसेच जनित्राद्वारे सुध्दा डी.सी. विद्युतप्रवाह निर्माण करता येते. डी.सी. विद्युतप्रवाहाचा व्होल्टेज बदलता येत नाही. रेडिओ, टॉर्च इत्यादीसाठी डी.सी. विद्युतप्रवाह वापरतात. डी.सी. विद्युतप्रवाह आपणास बॅटरी तसेच सेलद्वारे मिळते.

विद्युत परिपथाचे रेखाटन करताना या विद्युतप्रवाहाचा स्रोत खालील चिन्हाने दाखवितात. यापैकी उभी मोठी रेषा म्हणजे धन ध्रुव व उभी लहान रेषा म्हणजे ऋण ध्रुव दर्शवते.



२) ए.सी.विद्युतप्रवाह (Alternating Current - AC) : ठराविक कालावधीनंतर वाहकातून वाहणाऱ्या विद्युतप्रवाहाची वहनाची दिशा बदलते व तिचे वहन उलटसुलट दिशेने होते. अशा विद्युतप्रवाहाला ए.सी.विद्युतप्रवाह असे म्हणतात. जनित्राद्वारे निर्माण होणारी विद्युतप्रवाह ए.सी.विद्युतप्रवाह असतो. ए.सी.विद्युतप्रवाहाचा व्होल्टेज सहजपणे कमी-अधिक करता येतो. आपल्या घरात आपण जी ए.सी.विद्युतप्रवाह वापरतो. तिचा व्होल्टेज २३० व्होल्ट इतका असतो. व तिची वारंवारता दर सेकंदाला ५० हर्ट्झ इतकी असते.

#### २३० AC Voltage



विद्युत परिपथाचे रेखाटन करताना ए.सी.विद्युतप्रवाहाचा स्रोत खालील चिन्हाने दाखवितात.

#### विद्युतप्रवाह कशी मोजावी ?

विद्युतप्रवाह मोजताना खालील गोष्टी लक्षात ठेवाव्यात.

१) प्रथम मल्टीमीटरवर विद्युतप्रवाहाचे योग्य स्केल निवडावे व नंतर विद्युतप्रवाह मोजावा.

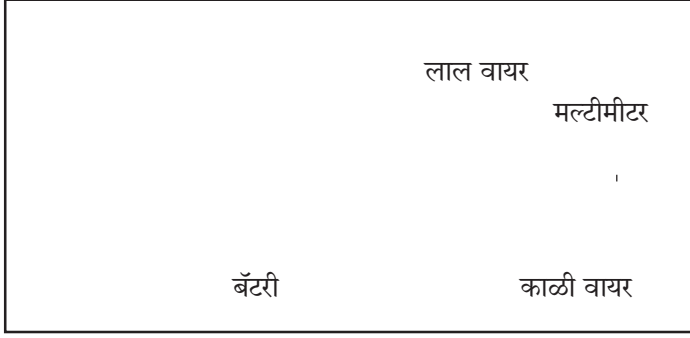
०.१ अँपीअर (A) = १०० मिली अँपीअर (mA)

१००० मायक्रोअँपीअर ( $\mu$ A) = १०० मिली अँपीअर (mA)

१००० मिली अँपीअर (mA) = १ अँपीअर (A)

१००० अँपीअर (A) = १ किलो अँपीअर (KA)

२) विद्युतप्रवाह (करंट) मोजताना, मल्टीमीटर नेहमी विद्युतपरिपथामध्ये एकसर पध्दतीने (सेरीज) जोडावा.



आकृती २.१ : विद्युतप्रवाह (करंट) मोजणे.

३) इलेक्ट्रॉनिक विद्युत परिपथामधील (सर्किट) वाहणारी विद्युतप्रवाह (करंट) मोजताना मल्टीमीटरचे बटन नेहमी DC करंट वर ठेवावे आणि नंतर मल्टीमीटरच्या लाल वायरचे टोक धन अग्रास व काळ्या वायरचे टोक ऋण अग्रास जोडावे. (वरील आकृतीत दाखविल्याप्रमाणे)

### २.२ व्होल्टेज (Voltage)

बॅटरीच्या धन अग्र व ऋण अग्र यांच्या विद्युत पातळीमधील फरकाला त्या घटाचे व्होल्टेज असे म्हणतात. व्होल्टेजमुळे इलेक्ट्रॉनला गती मिळते व परिपथातून विद्युतप्रवाह वाहू लागते. व्होल्टेजचे एकक व्होल्ट (V) हे आहे. आपल्या घरामध्ये २३० व्होल्ट (V) विद्युतपुरवठा केला जातो. विजेरीमध्ये (टॉर्च) १.५ व्होल्ट डी.सी.चे पेन्सिल सेल वापरले जातात.

### व्होल्टेज मोजताना

जेव्हा तुम्ही व्होल्टेज मोजाल तेव्हा खालील पायऱ्या लक्षात ठेवा.

१) व्होल्टेज मोजण्यासाठी मल्टीमीटरवरील योग्य स्केल निवडावे.

$$१००० \text{ मायक्रोव्होल्ट} (\mu V) = १ \text{ मिलीव्होल्ट} (mV)$$

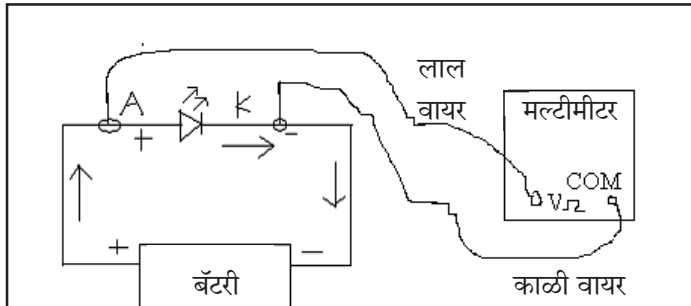
$$१००० \text{ मिलीव्होल्ट} (mV) = १ \text{ व्होल्ट} (V)$$

$$१००० \text{ व्होल्ट} (V) = १ \text{ किलोव्होल्ट} (KV)$$

वरील संख्या मल्टीमीटरवर दर्शविलेल्या असतात. उच्च व्होल्टेजच्या संख्या विद्युत निर्मिती केंद्र किंवा विद्युत पुरवठा केंद्राच्या ठिकाणी वापरतात.

व्होल्टेजचे सर्वात लहान एकक मिलीव्होल्ट हे आहे. तसेच मोठे एकक किलो व्होल्ट हे आहे.

२) व्होल्टेज मोजताना मल्टीमीटर नेहमी विद्युत परिपथातील घटकांशी (उदा. रेजिस्टर, डायोड इत्यादी) समांतर जोडावा.



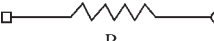
आकृती २.२ : व्होल्टेज मोजणे.

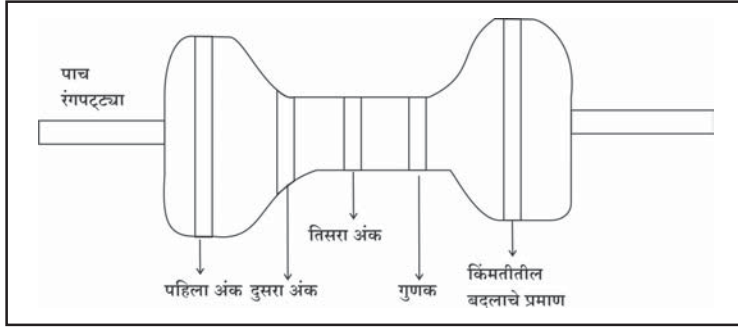


३) इलेक्ट्रॉनिक विद्युत परिपथामधील (सर्किट) वाहणारा व्होल्टेज (व्होल्टेज) मोजताना मल्टीमीटरचे बटन नेहमी DC व्होल्टेज वर ठेवावे आणि नंतर मल्टीमीटरच्या लाल वायरचे टोक धन अग्रास व काळ्या वायरचे टोक ऋण अग्रास जोडावे. (वरील आकृतीत दाखविल्याप्रमाणे)

### २.३ रेजिस्टर (Resistor - R)

वाहकातून विद्युतप्रवाह वाहत असताना, त्यातील गतिमान इलेक्ट्रॉन त्यांच्या मार्गात येणाऱ्या वाहकांच्या अणूवर आदळतात. या आदळण्यामुळे इलेक्ट्रॉनच्या गतीला विरोध होतो म्हणजेच विद्युतप्रवाहाला विरोध होतो. या विरोधालाच वाहकाचा रेजिस्टर असे म्हणतात.

तसेच रेजिस्टरमुळे विद्युत परिपथातील व्होल्टेज देखील योग्य राखले जाते. रेजिस्टर R या अक्षराने दाखविला जातो. रेजिस्टर  या सांकेतिक चिन्हाने सर्किटमध्ये दाखवितात.



आकृती २.३ : रेजिस्टरचे छायाचित्र

रेजिस्टर हा ओहम या एककात मोजतात. ते  $\Omega$  या चिन्हाने दाखवितात.

इलेक्ट्रॉनिक उपकरणांमधील रेजिस्टर हे लहान आकाराचे असतात. त्यांची किंमत त्यांच्यावर असलेल्या रंगपट्ट्यांवरून काढता येते. विद्युतप्रवाहाचे (करंट) व व्होल्टेज विद्युत परिपथातील प्रमाण कमी करण्यासाठी रेजिस्टरचा उपयोग केला जातो. एखादे वेळी चुकीच्या पध्दतींनी विद्युत उपकरणांना जास्त करंट किंवा व्होल्टेज दिले गेल्यास उपकरणे खराब होऊ नयेत म्हणून रेजिस्टर वापरतात.

### २.४ ओहमचा नियम :

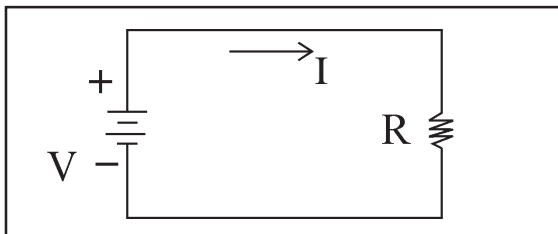
वाहकाची भौतिक अवस्था कायम राहत असताना, वाहकामधून वाहणारी विद्युतप्रवाह (I) ही वाहकाच्या दोन टोकांमधील व्होल्टेजच्या (V) समानुपाती असते.

करंट व व्होल्टेजमधील संबंध सूत्राच्या स्वरूपात खालीलप्रमाणे दाखवितात.

$$V \propto I$$

$$V = IR$$

$$V/I = R \text{ (स्थिरांक)}$$



आकृती २.४ : ओहमचा नियम

व्होल्टेज (V), करंट (I) व रेजिस्टर (R) यापैकी कोणत्याही दोन किंमती आपणास माहिती असल्यास तिसरी किंमत वरील सूत्राच्या साहाय्याने काढता येते.

### २.५ विद्युतशक्ती (Electrical Power-P)

विद्युत परिपथाला केलेल्या विद्युत ऊर्जेच्या पुरवठ्याच्या दराला विद्युतशक्ती असे म्हणतात. करंट, व्होल्टेज व विद्युतशक्तीमधील संबंध खालील सूत्राने दाखवितात.

विद्युत शक्ती (P) = व्होल्टेज (V) ह्व विद्युतप्रवाह (I)

$$P = V \text{ ह्व } I$$

विद्युतशक्ती वॉट (W) या एककात मोजतात. विद्युतशक्ती (P) या अक्षराने दाखवितात.

$$१००० \text{ वॉट (W) } = १ \text{ किलो वॉट (KW)}$$

$$१००० \text{ किलोवॉट (KW) } = १ \text{ मेगावॉट (MW)}$$

घरातील बल्बवर जे १०० वॉट असे छापलेले असते याचा अर्थ असा की त्या बल्बसाठी दर तासाला १०० वॉट इतकी विद्युतशक्ती लागते. दिलेल्या वॉटवरून आपल्याला करंट काढता येते ते खालीलप्रमाणे आहे.

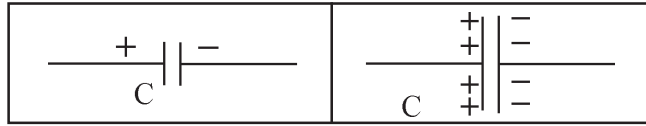
$$P = V \text{ ह्व } I$$

$$100 = 230 \text{ ह्व } I$$

$$I = 100/230 = 0.44 \text{ अॅम्पीअर}$$

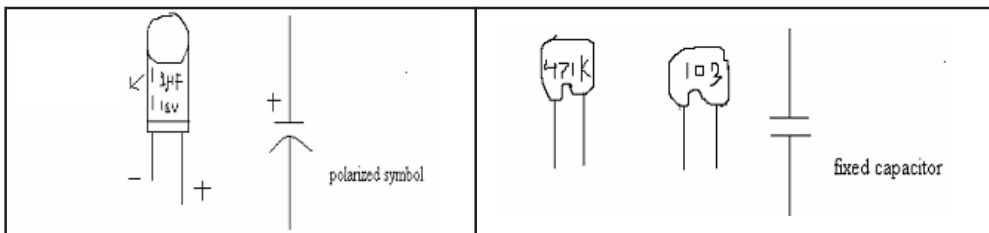
### २.६ कॅपॅसिटर (C)

कॅपॅसिटरचे मुख्य काम विद्युत ऊर्जा साठविणे हे आहे. तसेच तो साठविलेली विद्युत ऊर्जा विद्युत परिपथास (सर्किटला) आवश्यकता असेल तशी पुरवठा करतो. जेव्हा आपण कॅपॅसिटरला व्होल्टेज पुरवतो तेव्हा कॅपॅसिटर त्याच्या आतील पट्टीवर विद्युतप्रभार साठवून ठेवतो. आतील पट्टीवर एका बाजूवर धन विद्युतप्रभार व दुसऱ्या बाजूवर ऋण विद्युतप्रभार साठविला जातो. कॅपॅसिटरचे सांकेतिक चिन्ह खालीलप्रमाणे



आकृती २.६ : कॅपॅसिटरचे सांकेतिक चिन्ह

कॅपॅसिटरच्या विद्युतप्रभार साठविण्याच्या क्षमतेला कॅपॅसिटन्स म्हणतात. तो इंग्रजी C या अक्षराने दाखवितात. कॅपॅसिटन्स फॅरॅड या एककात मोजतात. फॅरॅड हे खूप मोठे एकक आहे. त्याची लहानात लहान एकके मायक्रोफॅरॅड ( $\mu\text{F}$ ), नॅनो फॅरॅड (nF) आणि पिको फॅरॅड (pF) ही आहेत. कॅपॅसिटरची किंमत कॅपॅसिटरवर लिहिलेली असते. कॅपॅसिटरचे धन ओळखता येण्यासाठी त्यावर ऋणची (ह्व) अशी खूण केलेली असते ते त्याचे ऋण टोक असते. तसेच त्यांची ओळख कॅपॅसिटरच्या असलेल्या दोन तारांच्या लांबीवरून पण ओळखता येते. जास्त लांबीची तार धन अग्र व कमी लांबीची तार ऋण अग्र दर्शविते. सिरॅमिक कॅपॅसिटरचे ध्रुव दाखविलेले



विद्युत अपघटनां कपोसटर

सिरॅमिक कॅपॅसिटर

## कॅपॅसिटरचे उपयोग :

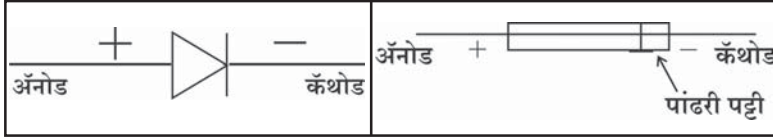
कॅपॅसिटरचा उपयोग एलईडीच्या सर्कीटमध्ये खालील हेतूसाठी केला जातो.

१. कॅपॅसिटर तात्पुरता विद्युतप्रभार साठवून ठेवतात. त्यामुळे सर्कीटमधील इलेक्ट्रॉनिक घटकांना व्होल्टेजचा एकसारखा पुरवठा होण्यासाठी सर्कीटमध्ये कॅपॅसिटर जोडतात.
२. कॅपॅसिटर एसी व्होल्टेज थांबवून फक्त डीसी व्होल्टेज पुढे पाठवतो.
३. कॅपॅसिटर नको असलेल्या वारंवारता काढून टाकतो.

## २.७ डायोड (Diode)

एकाच दिशेने विद्युतच्चाह (करंट) वाहून नेण्यासाठी डायोडचा उपयोग करतात. जेव्हा विद्युत परिपथात बॅटरीचा धन प्रभार डायोडच्या अॅनोडला व ऋण प्रभार डायोडच्या कॅथोडला दिलेला असतो, तेव्हा डायोड फॉरवर्ड बायस स्थिती असतो. याचा अर्थ डायोड त्यातून विद्युतप्रवाह (करंट) वाहून नेण्यास परवानगी देतो. जेव्हा आपण हीच जोडणी उलटी करतो तेव्हा डायोड स्वतःमधून विद्युतप्रवाह (करंट) जाऊ देत नाही. याला रिव्हर्स बायस स्थिती म्हणतात.

डायोडचा ऋण अग्र दाखविण्यासाठी डायोडवर पांढऱ्या रंगाची पट्टी लावलेली असते.



आकृती २.७ : डायोडचे सांकेतिक चिन्ह

## मल्टीमीटरवर डायोडची तपासणी करताना

खालील पायऱ्या वापरून मल्टीमीटरवर डायोडची तपासणी करावी.

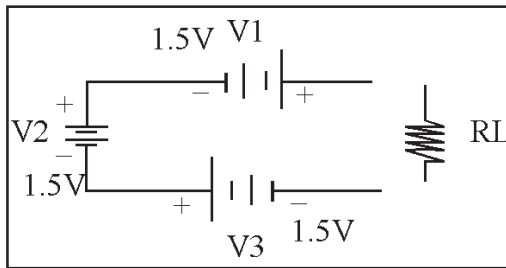
१. प्रथम मल्टीमीटरवरची डायोड स्थिती निवडावी.
२. मल्टीमीटरच्या लाल वायरचे टोक डायोडच्या अॅनोडला व काळ्या वायरचे टोक कॅथोडला जोडावे. डायोड ०.६ इतके व्होल्टेज ड्रॉप करतो. म्हणून मल्टीमीटरने जर ०.६ एवढे व्होल्टेज दाखविले तर डायोड चालू स्थितीत आहे असे समजावे.

## डायोडचे उपयोग

१. डायोडचा उपयोग इलेक्ट्रॉनिक सर्कीटमधील एसी व्होल्टेजचे डीसी व्होल्टेजमध्ये रूपांतर करण्यासाठी केला जातो. उदा. एसी /डीसी पॉवर सप्लाय, व्होल्टेज रेग्युलेटर इत्यादी.

## बॅटरीची जोडणी

### १) एकसर जोडणी (सेरीज) (Series Connection)



आकृती २.८ : बॅटरीची एकसर जोडणी

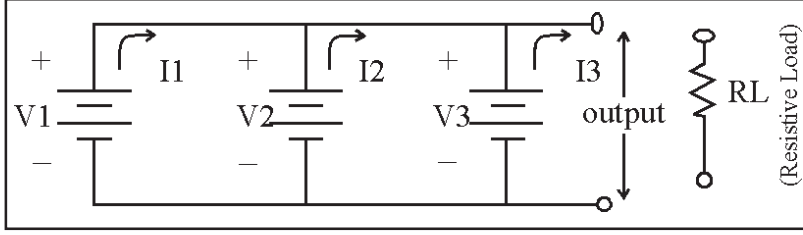
जास्त व्होल्टेज जर मिळवायचे असेल तर दोन किंवा दोनपेक्षा जास्त बॅटऱ्या एकसर बॅटऱ्या एकसर जोडणीने जोडतात. या जोडणीमुळे व्होल्टेज वाढते, परंतु करंट सारखाच राहतो.

$$V = V_1 + V_2 + V_3 + \dots$$

समजा एका बॅटरीचे व्होल्टेज १.५ व्होल्ट इतके आहे. जर तीन बॅटऱ्या एकमेकींना एकसर पध्दतीने जोडल्या तर एकूण व्होल्टेज खालीलप्रमाणे ४.५ व्होल्ट इतके मिळते.

$$\begin{aligned} V &= V_1 + V_2 + V_3 + \dots \\ &= 1.5 + 1.5 + 1.5 \\ &= 4.5 \text{ volts} \end{aligned}$$

## २) समांतर जोडणी (Parallel Connection)



आकृती २.९ बॅटरीची समांतर जोडणी

जेव्हा दोन किंवा दोनपेक्षा जास्त बॅटरी आपण समांतर जोडणीने जोडतो तेव्हा व्होल्टेज सारखेच राहते परंतु करंट वाढतो.

$$I = I_1 + I_2 + I_3 + \dots$$

## उपयोग

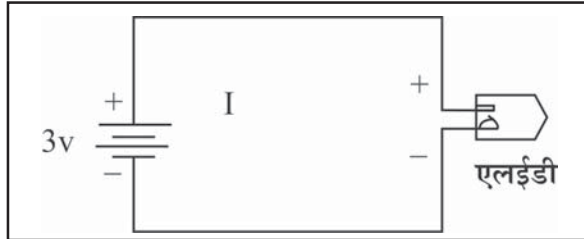
- परिपथातील विद्युतप्रवाह (करंट) वाढविण्यासाठी बॅटरीची समांतर जोडणी करतात.
- प्रत्येक बॅटरीच्या दोन टोकांमध्ये समान व्होल्टेज प्रयुक्त करण्यासाठी समांतर जोडणी करतात.

## २.८ विद्युत परिपथ (Electric Circuits)

विद्युत स्रोताच्या धन ध्रुवापासून निघालेली तार दिव्याला जोडून नंतर विद्युत स्रोताच्या ऋण ध्रुवाला जोडण्यात येते. म्हणजेच विद्युतप्रवाहाचा मार्ग फिरून परत मूळ ठिकाणी येते. म्हणून या जोडणीला विद्युत परिपथ (इलेक्ट्रिकल सर्किटस) म्हणतात.

इलेक्ट्रिक सर्किटसचे खालीलप्रमाणे विविध प्रकारांमध्ये वर्गीकरण करता येते.

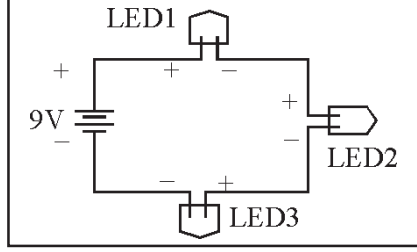
### १) मूलभूत विद्युत परिपथ



आकृती २.१० मूलभूत विद्युत परिपथ

वरील आकृतीमध्ये ३ व्होल्टची बॅटरी एलईडीच्या दिव्याला जोडली आहे. बॅटरीच्या धन अग्राकडून निघून एलईडीच्या दिव्यातून जाऊन बॅटरीच्या ऋण अग्राकडे परत येते. समजा जर आपण बॅटरीला एलईडीचा किंवा कोणताही दिवा जोडलाच नाही तर बॅटरीमधून करंट वाहत नाही.

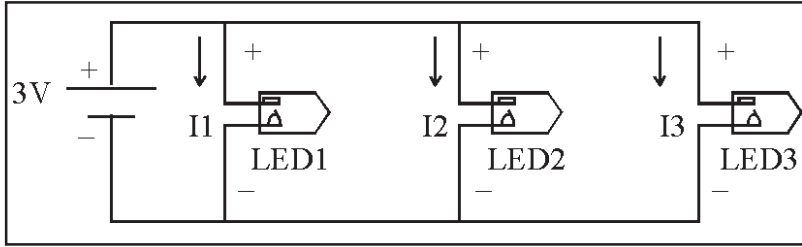
२) एलईडी दिव्यांची एकसर जोडणी (Series Circuit)



आकृती २.११ : एलईडी दिव्यांची एकसर जोडणी

वरील आकृतीत तीन एलईडी दिवे एकामागून एक असे एकसर पध्दतीने बॅटरीला जोडले आहेत. एकसर जोडणीतून वाहणारा करंट सारखाच असतो. परंतू एकसर जोडणीसाठी जास्त व्होल्टेजची गरज असते.

३. एलईडी दिव्यांची समांतर जोडणी (Parallel Circuits)

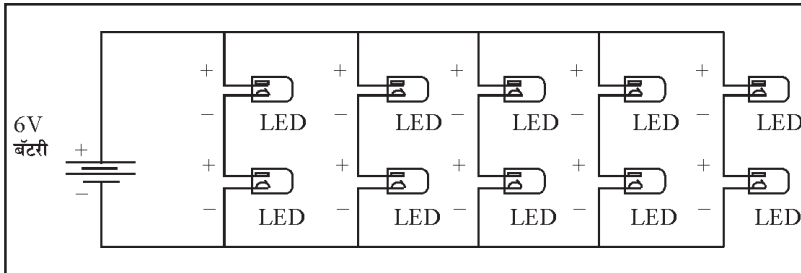


आकृती २.१२ : एलईडी दिव्यांची समांतर जोडणी

जेव्हा आपण एलईडी दिवे समांतर जोडणीने बॅटरीला जोडतो तेव्हा बॅटरीचे व्होल्टेज दिव्यासाठी समप्रमाणात विभागले गेल्यामुळे ते समप्रमाणात प्रकाशित होतात. परंतू बॅटरीकडून जास्त करंट घेतल्या गेल्यामुळे बॅटरी लवकर प्रभाररहित (डिसचार्ज) होते.

बॅटरीकडून मिळविलेले विद्युतप्रवाह तीन एलईडी दिव्यांना पुरविली जाते. याचा अर्थ समांतर जोडणी केल्याने करंट वाढतो.  $I = I_1 + I_2 + I_3$

४. एकसर व समांतर जोडणीचे एकत्रीकरण (Combination of Series and Parallel)



आकृती २.१३ : एलईडी दिव्यांची एकसर व समांतर जोडणीचे एकत्रीकरण

वरील प्रकारचे सर्किट आपल्या गरजेनुसार जोडता येते. या प्रकारचे सर्किट जेव्हा आपण बॅटरीला जोडतो तेव्हा बॅटरी लवकर विद्युत प्रभाररहित (डिसचार्ज) होते.

प्रकरण तिसरे

## एलईडीचे दिव्यांची प्रकाशासाठीची रचना

यापूर्वीच्या प्रकरणांमधून आपण काही विद्युतविषयक संकल्पना व इलेक्ट्रॉनिक्समधील विविध घटकांबाबत माहिती घेतली आहे.

आता आपण एलईडीचे दिवे वापरून विविध प्रकारची प्रकाशकीय उपकरणे तयार करणार आहोत. यापुढील प्रकरणांमधून आपण विज्ञान आश्रमात तपासणी करून निवडलेल्या विविध एलईडी दिव्यांसाठीच्या विविध सर्किट्सबाबत माहिती करून घेणार आहोत. आपणास एलईडी दिव्यांचे प्रकाशीय उपकरण तयार करण्यासाठी प्रथम इलेक्ट्रॉनिक्समधील विविध घटक खरेदी करावे लागतील.

आपणास एलईडी दिव्यांच्या विविध रचना करण्यासाठी खालील साधनांची आवश्यकता लागणार आहे.

- |                       |              |                |             |
|-----------------------|--------------|----------------|-------------|
| १. सोल्डर गन (२५ वॉट) | २. फ्लक्स    | ३. सोल्डर वायर | ४. वायर कटर |
| ५. वायर स्ट्रिपर      | ६. मल्टीमीटर | ७. नोज प्लायर  |             |

गावातील इलेक्ट्रिशियनसुद्धा एलईडी दिव्यांच्या विविध रचना करून आकर्षक एलईडी दिवे तयार करू शकतील अशा पध्दतींनी या प्रकरणांमध्ये माहिती दिली आहे.

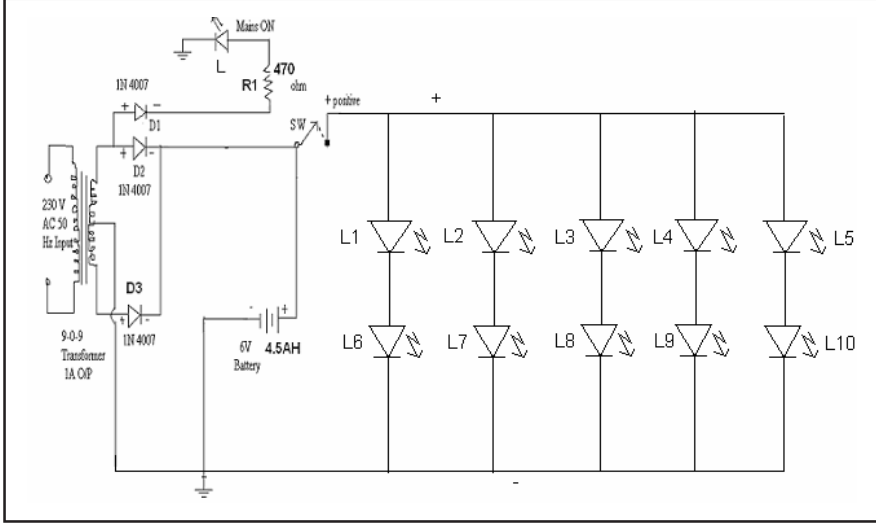
### एलईडीचे दिव्यांसाठीची इलेक्ट्रिकल सर्किट्स तयार करण्याची कृती :

१. आपणास एलईडी दिव्यांचा वापर करून विविध प्रकाशकीय उपकरणे तयार करता येतील. आम्ही आकृतीमध्ये रेजिस्टर (Resistors) R, कॅपॅसिटर्स (Capacitors) C, डायोडस (Diodes) D, एलईडी दिवे L या प्रकारे सांकेतिक चिन्हे दर्शविली आहेत. दिवे आणि छापील इलेक्ट्रिकल सर्किट्सची पट्टी (PCB) देण्यात येईल.
२. त्यातून दिलेल्या यादीनुसार उपकरणनिहाय लागणारे घटक भाग हातात घ्या.
३. घटकांचे धन अग्र व ऋण अग्र ओळखा आणि नंतर पीसीबीवर आकृतीत दाखविल्याप्रमाणे एकेक घटक त्या त्या जागेवर बसवा.
४. **सोल्डरिंग करण्याची कृती :**
  - १) इलेक्ट्रॉनिक घटकांची टोके स्वच्छ करा.
  - २) घटकांच्या टोकांना फ्लक्स लावा.
  - ३) जोडणीसाठी लागणाऱ्या वायरचे आवश्यक तेवढ्या लांबीचे तुकडे करा.
  - ४) वायरच्या तारेचा जो भाग सोल्डर करावयाचा आहे तेवढ्या भागावरील इन्सुलेंटिंग आवरण घासून काढा.
  - ५) त्याला फ्लक्स लावा.
  - ६) सोल्डर गन 230v पॉवर सप्लायला जोडून गरम करा.
  - ७) काळजीपूर्वक एक एक घटक भाग सोल्डर वायर व सोल्डर गनच्या सहाय्याने पीसीबीवर आकृतीत दाखविल्याप्रमाणे चिकटवा.
  - ८) सर्व घटक पीसीबीवर बसवून झाल्यानंतर, पीसीबीच्या आकारानुसार त्यासाठीचा एक प्लास्टिक बॉक्स निवडा. यासाठीचे प्लास्टिक बॉक्स बाजारामध्ये तसेच 'विज्ञान आश्रम, पाबळ' येथे उपलब्ध आहेत प्रमाणबद्ध पीसीबीसुद्धा विज्ञान आश्रमात उपलब्ध आहेत.

### ३.१ इमर्जन्सी दिवा (Emergency Lamp)

#### प्रस्तावना

बल्ब तसेच सीएफएलच्या दिव्यांपेक्षा या सर्कीटला कमी विद्युतऊर्जा लागते. या दिव्याची बॅटरी चार्ज होण्यासाठी किमान ८ तास लागतात आणि या बॅटरीवर हा दिवा २८ तास चालतो.

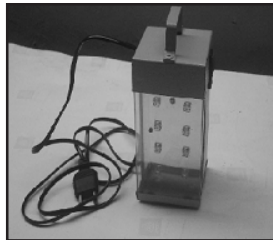


आकृती ३.१ : इमर्जन्सी दिव्याचे सर्कीट

#### घटक भागांची यादी

क्र.	घटकाचे नाव	घटकांची किंमत	घटकांची संख्या
१	डायोड D1 ते D3	IN4007	3
२	एलईडी दिवे, L1 ते L10	सुपर फ्लक्स एलईडी	10
३	रोध, Resistor R1	470 ओहम	1
४	बटन - Switch	SPST	1
५	बॅटरी - Battery	6V (4.5 अॅपीअर तास) सीलबंद लीड अॅसीड बॅटरी	1
६	रोहित्र - ट्रान्सफॉर्मर (Transformer)	9-0-9 व्होल्ट आणि 1 अॅम्पीअर आऊटपूट	1
७	पीसीबी (PCB)	आयत/चौकोनी आकाराचे	1
८	एलईडी L	हिरवा	1
९	वायर	मल्टीस्ट्रॅंड प्रकारची Multistrand	2 मीटर

#### इमर्जन्सी दिव्याचे कार्य



इमर्जन्सी दिव्यासाठी ६ व्होल्टची बॅटरी वापरलेली आहे. तिच्या चार्जिंगसाठी ९ व्होल्टच्या चार्जरची गरज असते. ६ व्होल्टची बॅटरी ६ व्होल्टच्या चार्जरवर चार्ज होत नाही. SPST प्रकारचे बटन हा दिवा चालू करण्यासाठी वापरले आहे. हा दिवा पूर्ण चार्जिंग असल्यानंतर २८ तास चालतो.

### सूचना

या दिव्याची बॅटरी ८ तासापेक्षा जास्त वेळ चार्जिंग करू नये. कारण जास्तवेळ चार्जिंगमुळे बॅटरीचे आयुष्य कमी होते.

### इमर्जन्सी दिव्याची वैशिष्ट्ये

१. हा दिवा ६ व्होल्टच्या बॅटरीवर चालतो.
२. या दिव्यासाठी कमी विद्युत ऊर्जा लागते. यासाठी ०.५ वॉट एवढी विद्युत शक्ती लागते.
३. हा दिवा २८ तास चालतो.
४. रात्रीच्या वेळी हातगाडीवर विक्री व्यवसाय करणारे लोक हा दिवा वापरतात.

### इमर्जन्सी दिव्यासाठी लागणारी विद्युतशक्ती

या दिव्यासाठी १० एलईडी दिवे वापरतात.

यासाठी ६ व्होल्टची बॅटरी जोडलेली आहे.

विद्युतप्रवाह (करंट) मल्टीमीटरवर मोजावी.  $I = 0.08$  अॅम्पीअर

$$P = V \text{ ह } I$$

$$P = 6 \text{ ह } 0.08 \text{ A}$$

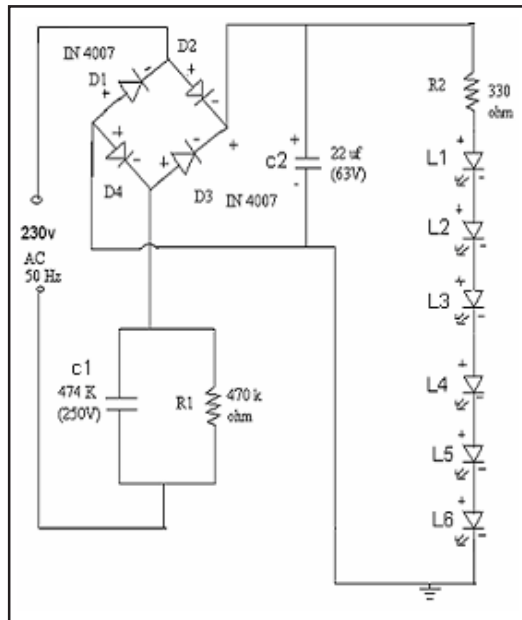
$$P = 0.48 \text{ वॉट}$$

इमर्जन्सी दिव्याकडून वापरली जाणारी विद्युतशक्ती ०.५ वॉट होय.

### ३.२ ए.सी. विद्युतप्रवाहवर (AC) चालणारा दिवा

#### प्रस्तावना

हा दिवा तयार करण्यासाठी दोन सर्किटस वापरतात. एक सर्किट एसी व्होल्टेजचे डीसी व्होल्टेजमध्ये रूपांतर करतो आणि दुसरे सर्किट एलईडी दिव्यांचे असते. या सर्किटचा एक दुरुपयोग असा आहे की ५ एलईडी दिवे एकसर जोडणीने जोडलेले असतात. ५ एलईडी दिव्यांपैकी एक दिवा जरी बंद पडला तरी पूर्ण सर्किट काम करत नाही. हा एसी दिवा २३० एसी व्होल्टेजच्या बल्बच्या सॉकेटलासुध्दा जोडता येतो. तसेच यासाठी कमी विद्युतऊर्जा लागते.



आकृती ३.२ : कमी ऊर्जेवर चालणारा एसी दिवा



### घटक भागांची यादी

क्र.	घटकाचे नाव	घटकांची किंमत	घटकांची संख्या
1	एलईडी दिवे, L1 ते L6	शुभ्र फ्लक्स एलईडी	6
2	डायोड D1 ते D4	IN 4007	4
3	कॅपॅसिटर C1	474k (250v)	1
	C2	22UF (63v)	1
4	रोध R1	470 किलो ओहम	1
	R2	330 ओहम	1
5	पीसीबी (PCB)	गोलाकार / चौकोनी आकाराचे	1
6	वायर	मल्टीस्ट्रँड प्रकारची Multistrand	2 मीटर

### एसी दिव्याचे कार्य



जेव्हा आपण हा दिवा २३० एसी व्होल्टेजला हा दिवा जोडतो तेव्हा त्याचे व्होल्टेज व करंट कमी केला जातो आणि ते डायोडच्या ब्रीज सर्कीटला दिले जाते. डायोडचे ब्रीज सर्कीट एसी व्होल्टेजचे डीसी व्होल्टेजमध्ये रूपांतर करतो, आणि ते डीसी व्होल्टेज एलईडी दिव्यांना दिले जाते. एलईडी दिवे एकसर एकत्र जोडणीने जोडलेले आहेत.

### वैशिष्ट्ये

१. हा दिवा २३० च्या एसी व्होल्टेजवर चालतो.
२. एक वॉट इतक्या कमी विद्युतशक्तीचा हा दिवा आहे.

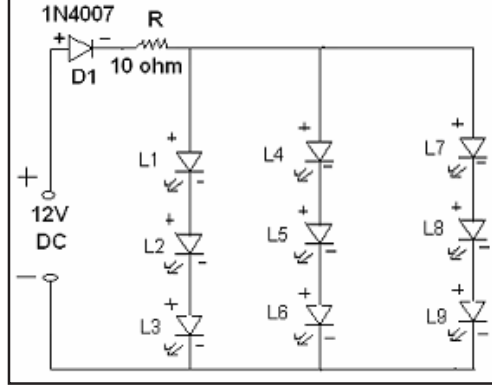
### उपयोग

१. रात्रीचा दिवा (नाईट लॅप) म्हणून वापर करता येतो.
२. हा दिवा बाथरूममध्ये वापरता येतो.
३. ग्रामीण भागात विद्युत कपातीच्या काळात कमी व्होल्टेजवर सुध्दा चालतो.

### ३.३ : १२ व्होल्ट बॅटरीच्या डीसी विद्युतप्रवाहावर चालणारा दिवा

१२ व्होल्टचा डीसी दिवा १२ व्होल्टच्या बॅटरीवर चालतो तसेच सौर ऊर्जेचा वापर करून पण हा दिवा चालविता येतो. विज्ञान आश्रमामध्ये १२ व्होल्टच्या बॅटरीचा वापर करून असे अनेक दिवे परिसरात रात्रीच्या वेळी प्रकाशासाठी बसविले आहेत. दोन दिवे २१ तास चालतात. या दिव्यांना २ वॉट इतकी विद्युत ऊर्जा लागते.





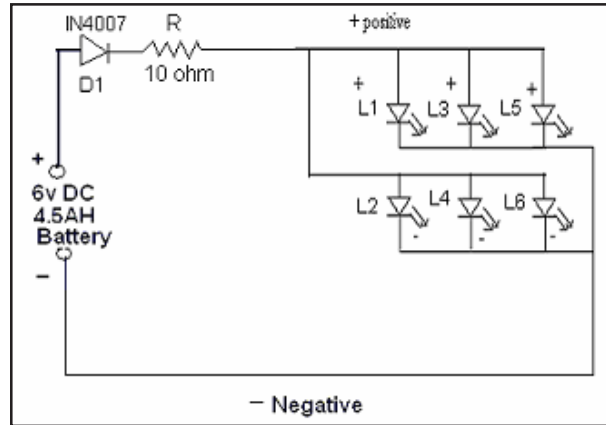
आकृती ३.३ : १२ व्होल्टच्या बॅटरीवर चालणारा डीसी दिवा

घटक भागांची यादी

क्र.	घटकाचे नाव	घटकांची किंमत	घटकांची संख्या
1	एलईडी दिवे, L1 ते L 9	सुपर फ्लक्स एलईडी	9
2	डायोड D1	1N 4007	1
3	बॅटरी	12V (7.5 अॅम्पीअर तास) लीड अॅसिड बॅटरी (Sealed)	1
4	पीसीबी (PCB)	गोलाकार आकाराचा व्यास १.६५''	1
5	वायर	मल्टीस्टॅंड प्रकाराची Multistand	2 मीटर
6	रोध - R	10 ओहम (2W)	1

३.४ ६ व्होल्ट बॅटरीच्या डीसी विद्युतप्रवाहावर चालणारा एलईडीचा दिवा

एलईडीच्या समांतर जोडणीतून हा दिवा तयार करता येतो. हा दिवा ६ व्होल्टच्या बॅटरीवर चालतो. या दिव्याच्या सर्कीटमध्ये डायोडची व रेजिस्टरची गरज नसते. कारण एका एलईडीसाठी ३ व्होल्टची गरज असते व आपण ६ व्होल्टची बॅटरीचा वापर केला आहे व दोन डायोडच्या आणि एक रेजिस्टरच्या मदतीने व्होल्टेज कमी केले आहे आणि व्होल्टेज एलईडीचे समांतर जोडणीला दिले आहे. यासाठी ६ व्होल्टच्या बॅटरीची गरज असते. फक्त एक दिवा जर बॅटरीला जोडला तर दिवा ३० तास चालतो. तीन दिवे जर बॅटरीला जोडले तर ८ तास चालतात. तसेच हा दिवा १.५ वॉट इतकी ऊर्जा वापरतो.



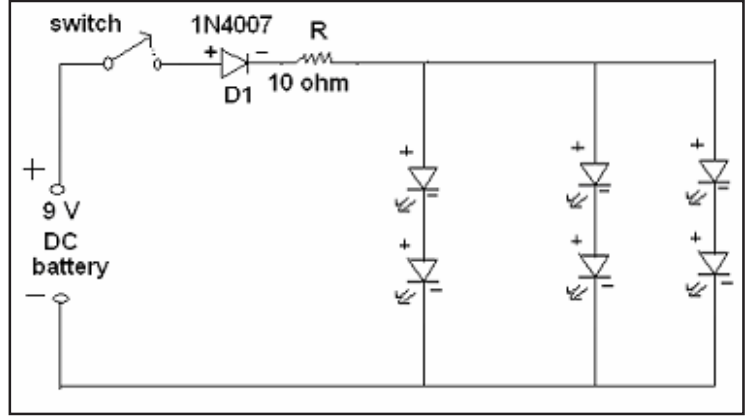
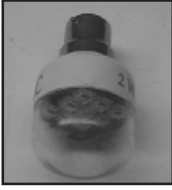
आकृती ३.४ : ६ व्होल्टच्या बॅटरीवर चालणारा डीसी दिवा.

घटक भागांची यादी

क्र.	घटकाचे नाव	घटकांची किंमत	घटकांची संख्या
1	एलईडी दिवे, L1 ते L 6	सुपर फ्लक्स एलईडी	6
2	बॅटरी -Battery	6V (4.5 अॅम्पीअर तास) लीड अॅसिड बॅटरी (Sealed)	1
3	पीसीबी (PCB)	गोलाकार आकाराचा व्यास १.६५''	1
4	वायर	मल्टीस्टँड प्रकारची Multistrand	अर्धा मीटर
5	डायोड D1 ते D4	1N 4007	1
6	रेजिस्टर R	10 ओहम २ वॉट	1

३.५ ९ व्होल्ट बॅटरीच्या विद्युतप्रवाहावर चालणारा दिवा

एलईडीच्या एकसर व समांतर जोडणीतून हा दिवा तयार करता येतो. हा दिवा ९ व्होल्टच्या बॅटरीवर चालतो. या दिव्याच्या सर्कीटमध्ये डायोडची आणि रेजिस्टरगरज असते. दोन एलईडी दिवे एकसर जोडणी केले आहे व एक डायोड आणि रेजिस्टरच्या मदतीने व्होल्टेज कमी केले आहे आणि ते व्होल्टेज एलईडीचे समांतर जोडणीला दिले आहे. यासाठी ९ व्होल्टच्या बॅटरीची गरज असते. किती एलईडी दिवे एकसर जोडणीने जोडायचे हे बॅटरीच्या व्होल्टेजवर अवलंबून असते. हा दिवा सरासरी १५ तास चालतो व यासाठी १.५ वॉट इतकी विद्युतऊर्जा लागते.



आकृती ३.५ : ९ व्होल्टच्या बॅटरीवर चालणारा डीसी दिवा

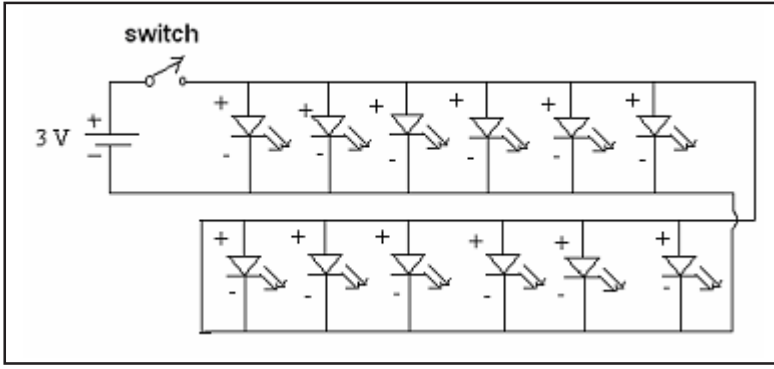
घटक भागांची यादी

क्र.	घटकाचे नाव	घटकांची किंमत	घटकांची संख्या
1	एलईडी दिवे, L1 ते L6	सुपर फ्लक्स एलईडी	6
2	बॅटरी - PP3 Battery	9V	1
3	पीसीबी (PCB)	गोलाकार आकाराचा व्यास १.७५''	1
4	वायर	मल्टीस्टँड प्रकारची Multistrand	अर्धा मीटर
5	स्विच - बटन	SPST	1

### ३.६ विजेरी (टॉर्च)

#### प्रस्तावना

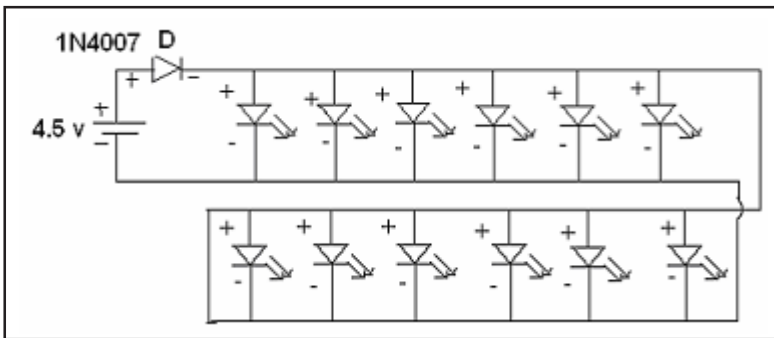
रात्रीच्या वेळी आपणास अनेकदा विजेरीची गरज भासते. या विजेरीसाठी दोन सेल तसेच जास्त प्रकाशासाठी आपण तीन सेल जोडू शकतो. यामध्ये एक डायोड एकसर जोडणीने जोडलेला असतो. दोन सेल वापरल्यामुळे आपणास ३ व्होल्ट तर तीन सेल वापरल्याने ४.५ इतके व्होल्ट मिळते. ही विजेरी ५० तास चालते.



आकृती ३.६-१ : ३ व्होल्टच्या विजेरीसाठीची समांतर जोडणी

दोन सेल (३ व्होल्ट) करिता घटक भागांची यादी

क्र.	घटकाचे नाव	घटकांची किंमत	घटकांची संख्या
1	एलईडी दिवे, L1 ते L12	पांढरेशुभ्र एलईडी 5 मिमी	12
2	बॅटरी सेल	1.5 V	2
3	पीसीबी (PCB)	गोलाकार आकाराचा व्यास १.५''	1
4	वायर	मल्टीस्टँड प्रकारची Multistrand	अर्धा मीटर



आकृती ३.६-२ : ४.५ व्होल्टच्या विजेरीसाठीची समांतर जोडणी

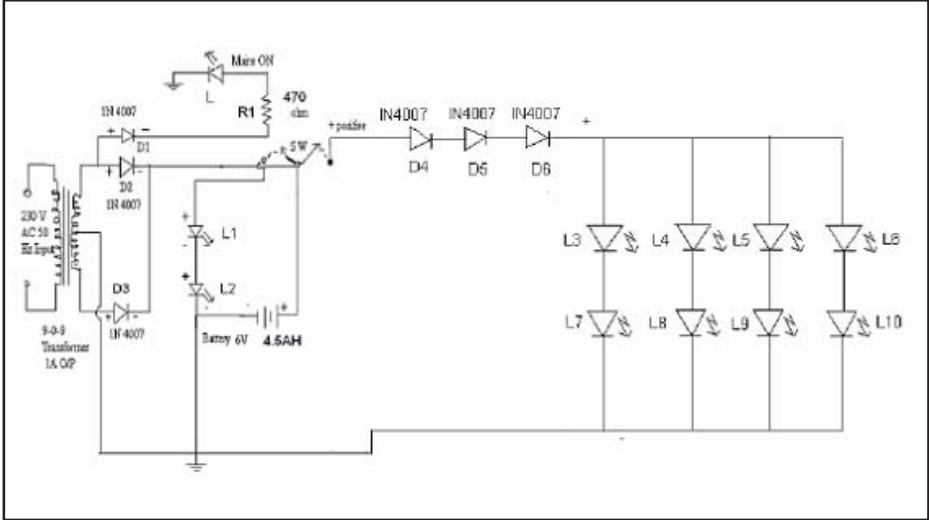
तीन सेल (४.५ व्होल्ट) करिता घटक भागांची यादी

क्र.	घटकाचे नाव	घटकांची किंमत	घटकांची संख्या
1	एलईडी दिवे, L1 ते L12	पांढरेशुभ्र एलईडी 5 मिमी	12
2	बॅटरी सेल	1.5 V	3
3	पीसीबी (PCB)	गोलाकार आकाराचा व्यास १.५''	1
4	वायर	मल्टीस्टँड प्रकारची Multistrand	अर्धा मीटर
5	डायोड D	1N 4007	1

वैशिष्ट्ये

1. ही विजेरी ३ व्होल्ट वर चालते.
2. ही विजेरी फक्त एक डायोड टाकून ४.५ व्होल्टवर चालते.
3. ०.८ वॅट इतकी कमी विद्युत ऊर्जा लागते.
४. ही विजेरी ५० तास चालते.

३.७ एकसर व समांतर जोडणी करून तयार केलेली विजेरी



आकृती ३.७ : एकसर व समांतर जोडणी करून तयार केलेली विजेरी  
घटक भागांची यादी

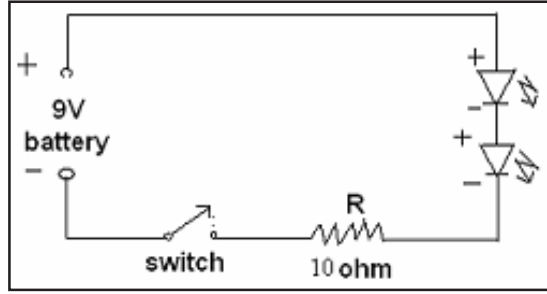
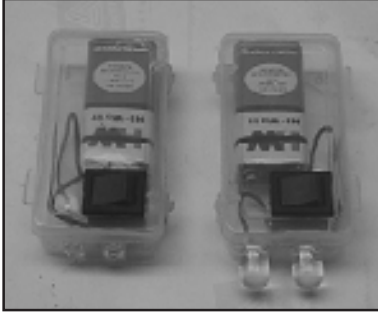
क्र.	घटकाचे नाव	घटकांची किंमत	घटकांची संख्या
1	डायोड D1 ते D6	1N 4007	6
2	एलईडी दिवे, L1 ते L10	पांढरेशुभ्र एलईडी 10 मिमी	10
3	रेजिस्टर ह्व R1	470 ओहम	1
4	स्विच - बटण	SPDT	1
5	बॅटरी - Battery	6V (4.5 अॅम्पीअर तास) लीड अॅसिड बॅटरी (Sealed)	1
6	रोहित्र - ट्रान्सफॉर्मर Transformer	9-0-9 डायोड व 1 अॅम्पीअर आऊटपूट	1
7	पीसीबी PCB	गोलाकार/चौकोनी आकाराचे	1
8	एलईडी - L	हिरवा	1
9	वायर	मल्टीस्टँड प्रकारची Multistrand	2 मीटर



### वैशिष्ट्ये

१. ही विजेरी ६ व्होल्टच्या बॅटरीवर चालते.
२. ही विजेरी २५ तास चालते.
३. या विजेरीसाठी ०.७ वॉट इतकी विद्युतशक्ती लागते.

### ३.८ नऊ व्होल्टची बॅटरी वापरून तयार केलेली लहान विजेरी



आकृती ३.८ : नऊ व्होल्टची बॅटरी वापरून तयार केलेली लहान विजेरी

### घटक भागांची यादी

क्र.	घटकाचे नाव	घटकांची किंमत	घटकांची संख्या
1	एलईडी दिवे, L1 ते L2	पांढरेशुभ्र एलईडी 10 मिमी किंवा सुपर फ्लक्स एलईडी	2
2	कोरडा विद्युत घट - सेल	9 V	1
3	रेजिस्टर - R	१० ओहम	1
4	स्विच	SPST	1
5	प्लास्टिक बॉक्स	.....	1

### वैशिष्ट्ये

१. ही विजेरी ५० तास चालते.
२. या विजेरीसाठी ०.८ वॉट इतकी विद्युत ऊर्जा लागते.

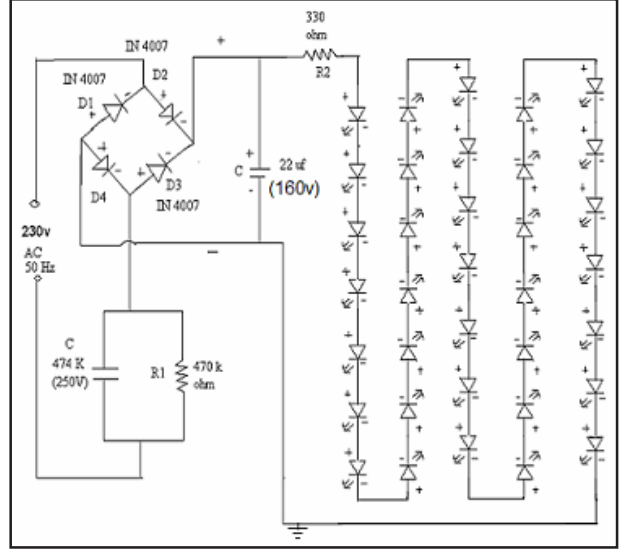
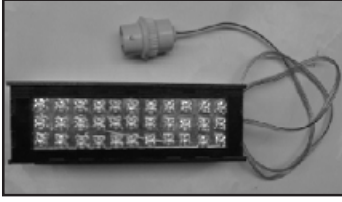
### ३.९ एलईडी दिव्यांची पट्टी

एलईडी दिव्यांची पट्टी ट्यूबलाईटप्रमाणे वापरता येते. त्याचप्रमाणे दुचाकी वाहनांसाठी हिचा प्रकाशपट्टी म्हणूनही उपयोग होतो. ही पट्टी तयार करताना सर्व एलईडी दिवे एकसर जोडणीने जोडतात. एलईडीची एकसर जोडणी करताना फक्त एक काळजी घ्यावी लागते ती म्हणजे एका एलईडी दिव्याचे धन टोक दुसऱ्या एलईडीच्या

धन टोकाला जोडू नये. याचबरोबर आपणास येथे एसीचे डीसीमध्ये रूपांतर करणाऱ्या सर्कीटचीपण गरज असते. पीसीबीवर डायोड आणि कॅपॅसिटर जोडताना त्यांचे धन व ऋण टोके अवश्य पहावीत व नंतर जोडावेत.

२२ मायक्रोफॅरॅड व १६० व्होल्ट कॅपॅसिटर या सर्कीटमध्ये व्होल्टेज वाढविण्यासाठी वापरतात. आणि ते व्होल्टेज ३५ एलईडींना पुरविले जाते. यातील ही खूप महत्त्वाची बाब आहे.या सर्कीटमध्ये ५० एलई पेक्षा जास्त एलई वापरू नये.

या सर्कीटमधील एक त्रुटी अशी आहे ती म्हणजे सर्कीटमधील एक एलीडी दिवा जरी बंद पडला तरी एलईडी दिव्यांची पूर्ण पट्टी काम करत नाही. यावेळी प्रत्येक एलईडी ची चालू बंद अवस्था तपासून पहावी लागते.



आकृती ३.९ : २३० व्होल्टवर चालणारी एलईडी दिव्यांची पट्टी

#### घटक भागांची यादी

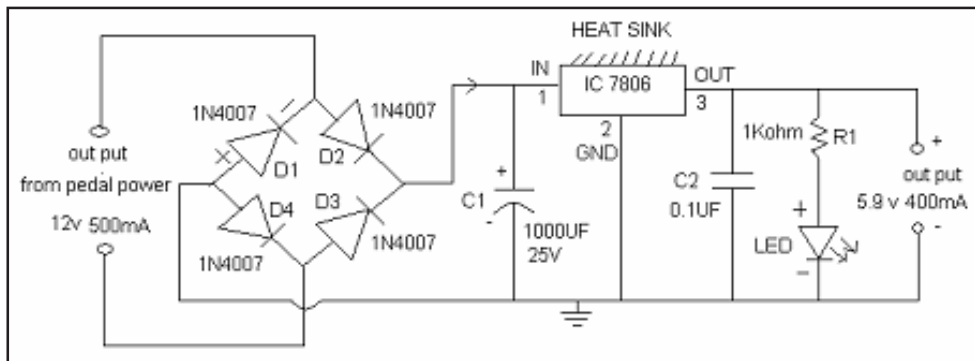
क्र.	घटकाचे नाव	घटकांची किंमत	घटकांची संख्या
1	एलईडी दिवे, L1 ते L35	सुपर फ्लक्स एलईडी	35
2	डायोड D1 ते D4	IN 4007	4
3	कॅपॅसिटर	C1 474k (250v)	1
		C2 22UF (160v)	1
4	रेजिस्टर	R1 470 किलो ओहम	1
		R2 330 ओहम	1
5	पीसीबी (PCB)	आयत/चौकोनी आकाराचे	1
6	वायर	मल्टीस्टँड प्रकारची Multistrand	1 मीटर

#### ३.१० मोबाईल चार्जर

ग्रामीण भागामध्ये मोठ्या प्रमाणावर वीजेचा तुटवडा असतो म्हणून लोकांना मोबाईल चार्जिंग करणे सोयीचे नसते. आपण या ठिकाणी पेडल पॉवरचा वापर करून मोबाईल चार्जिंग करणार आहोत.

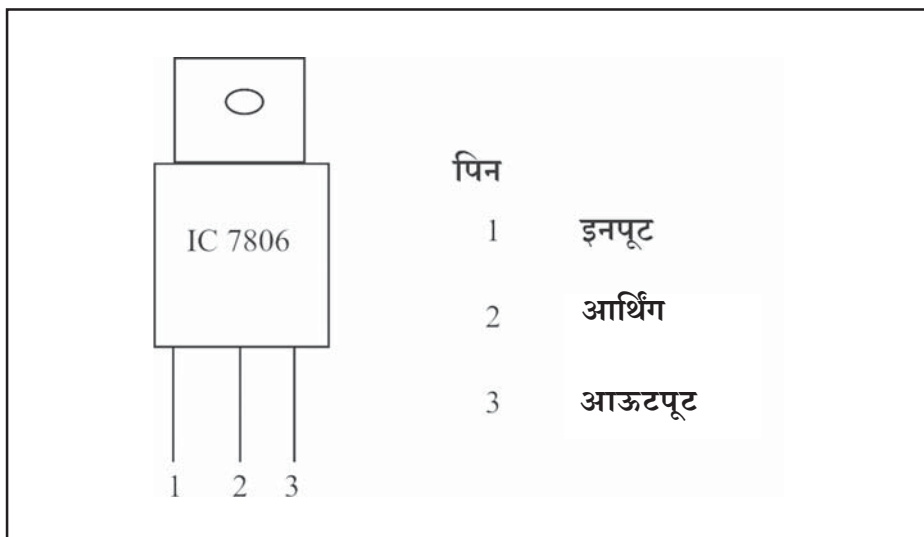
आपण येथे १२ व्होल्टचा व ५०० मिलीअॅम्पीअरचा डायनॅमो वापरला आहोत. १२ व्होल्ट चे व्होल्टेज

रेग्युलेटरच्या सहाय्याने स्टेप डाऊन करून ५.९ व्होल्ट ४०० मिली अॅम्पीअर व्होल्टेज मोबाईलच्या बॅटरीला दिले जाते.



आकृती ३.१० : पेडल पॉवर वापर करून मोबाईल चार्जरची निर्मिती

### IC 7806 च्या पिनाबाबत माहिती





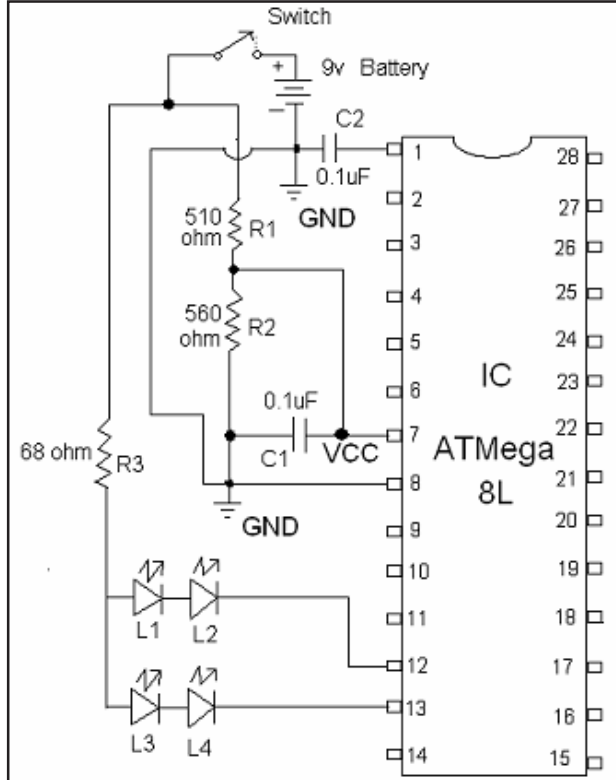
घटक भागांची यादी

क्र.	घटकाचे नाव	घटकांची किंमत	घटकांची संख्या
1	एलईडी दिवे, L	हिरवा एलईडी 5 मिमी	1
2	डायोड D1 ते D4	IN 4007	4
3	कॅपॅसिटर C1	1000 $\mu$ F(25v)	1
	C2	0.1 $\mu$ F	1
4	रेजिस्टर R1	1 किलो ओहम	1
5	पीसीबी (PCB)	गोलाकार/आयत आकाराचे	1
6	वायर	मल्टीस्ट्रॅंड प्रकारची Multistrand	1 मीटर

३.११ मायक्रोकंट्रोलर वापरून इलईडी रनिंग लाईटिंग :

मायक्रोकंट्रोलर वापरून तुम्ही कोणत्याही प्रकारची लायटिंग निर्मात्रित करू शकता. उपकरण नियंत्रित करू शकता आणि मायक्रोकंट्रोलर पॉवर कमी घेतो. आम्ही प्रोग्राम आय सी (IC) मध्ये टाकून एलईडी रनिंग लाईटिंग बनविली आहे. अशाप्रकारे तुम्हाला एलईडी चालू व बंद करता येते.

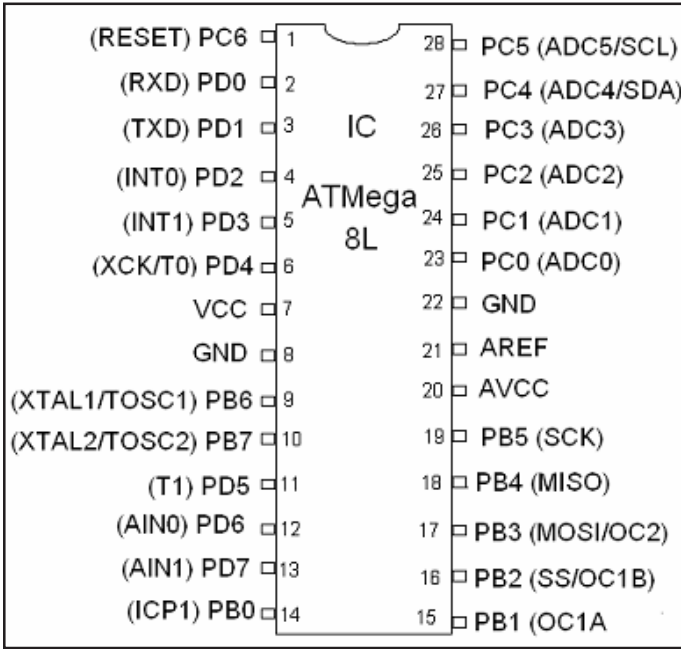
आम्ही प्रोग्राम लिहिण्यासाठी, आऊटपुट पाहण्यासाठी ऐ बी आर स्टुडीओ सॉफ्टवेअर वापरतो. प्रोग्राम आय सी मध्ये टाकण्यासाठी तुम्ही [www.atmel.com](http://www.atmel.com) या वेबसाईट वरून AVR STUDIO सॉफ्टवेअर घेवू शकता.



आकृती ३.११ : मायक्रोकंट्रोलर वापरून इलईडी रनिंग लाईटिंग

### घटक भागांची यादी

क्र.	घटकाचे नाव	घटकांची किंमत	घटकांची संख्या
1	एलईडी दिवे, L1 ते L4	सुपर फ्लक्स एलईडी	4
2	कोरडा विद्युत घट - सेल	9V	1
3	कॅपॅसिटर C1	0.1 $\mu$ F	1
	C2	0.1 $\mu$ F	1
4	रेजिस्टर R1	510 ओहम	1
	R2	560 ओहम	1
	R3	68 ओहम	1
5	पीसीबी (PCB)	आयत/चौकोनी आकाराचे	1
6	वायर	मल्टीस्ट्रँड प्रकारची Multistrand	1 मीटर
7	स्वीच	पुश टु ऑन	1
6	बॅटरी क्लिप	....	1



### IC ATmega8L साठी प्रोग्राम

आम्ही प्रोग्राम असेम्बली भाषेमध्ये लिहिलेला आहे. तुम्हाला हा प्रोग्राम सी भाषेत लिहिता येईल. तुम्ही कोणताही प्रोग्राम टाईप करून आयसी मध्ये टाकू शकता.  
 //एलईडी रनिंग लाईटिंगसाठी असेम्बली भाषेमध्ये प्रोग्राम//

```
.include "m8def.inc"
.cseg
.org 0
```

```

ldi r18, low(RAMEND)
out SPL, r18

ldi r18, high(RAMEND)
out SPH, r18

ldi r16, 0b11110000
out DDRD, r16

loop:

ldi r16, 0b01110000
out PORTD, r16
rcall delay
ldi r16, 0b10111000
out PORTD, r16
rcall delay

ldi r16, 0b11010000
out PORTD, r16
rcall delay

ldi r16, 0b11100000
out PORTD, r16
rcall delay

ldi r16, 0b11010000
out PORTD, r16
rcall delay

ldi r16, 0b10110000
out PORTD, r16
rcall delay

ldi r16, 0b10110000
out PORTD, r16
rcall delay

rjmp loop

delay:
ldi r20, 200
again:
  delay1:
  ldi r21, 200

  not_yet:
  delay2:
  ldi r22, 10
  again1:

```

```
dec r22  
brne again1  
dec r21  
brne not_yet  
dec r20  
brne again  
ret
```

### वैशिष्ट्ये

१. एलईडी चालू असताना खूप कमी पॉवर लागते.
२. मायक्रोकंट्रोलर पासून येणारी विद्युत प्रवाह २० मिली अॅम्पीअर आहे.
३. एकसारखे प्रमाणात एलईडीला विद्युत पुरवठा होतो.
४. तुम्ही अनेक वेळा प्रोग्राम आय सी मध्ये टाकू शकतात किंवा काढू पण शकतात.

### उपयोग

१. एलईडी बंद व चालू करण्यासाठी.
२. एसी किंवा डीसी मोटर नियंत्रित ठेवण्यासाठी.
३. एलसीडीवर अंक किंवा शब्द पहाण्यासाठी.

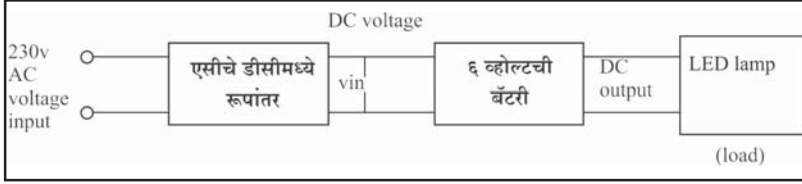
प्रकरण चौथे  
बॅटरी चार्जिंग करण्याच्या पध्दती

बॅटरी चार्जिंग करण्यासाठी सर्वसाधारणपणे खालील पध्दती वापरल्या जातात.

अ) विद्युत पुरवठ्याच्या सहाय्याने, ब) सौर ऊर्जेच्या सहाय्याने, क) पेडल पॉवरचा वापर करून

**४.१ विद्युत पुरवठ्याच्या सहाय्याने बॅटरी चार्जिंग करणे. (विद्युत ऊर्जा)**

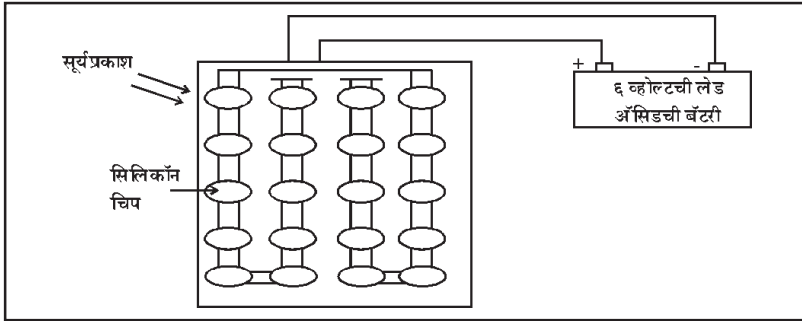
आपल्या घरामध्ये महाराष्ट्र विद्युत महामंडळामार्फत जो वीजपुरवठा दिलेला असतो तो २३० एसी व्होल्टेज इतका असतो. परंतु बॅटरी चार्जिंगसाठी डीसी व्होल्टेजची गरज असते. यासाठी २३० एसी व्होल्टेजची रूपांतर करण्याच्या सर्किटची गरज असते.



आकृती ४.१ : विद्युत पुरवठ्याच्या सहाय्याने बॅटरी चार्जिंग करणे.

**४.२ सौर ऊर्जेच्या सहाय्याने बॅटरी चार्जिंग करणे. (सौर ऊर्जा)**

सौर ऊर्जेचे रूपांतर विद्युत ऊर्जेमध्ये करण्यासाठी सौर विद्युत घट (सोलर पॅनल) हे साधन वापरतात. सौर विद्युत घटातील सिलिकॉनच्या चीपवर प्रकाश पडला की त्यातील इलेक्ट्रॉनचे स्थलांतर होऊन त्यातील दोन तारांदरम्यान व्होल्टेज निर्माण होते. अशाप्रकारे सौर ऊर्जेचे विद्युत ऊर्जेत रूपांतर होऊन विद्युतप्रवाह (करंट) मिळते. दिवसा सूर्यप्रकाशाच्या सहाय्याने तयार केलेली विद्युत ऊर्जा संचयी घटांच्या बॅटरीमध्ये साठवतात. व त्या ऊर्जेचा रात्री आपल्याला प्रकाशासाठी उपयोग होतो.



आकृती ४.२: सौर विद्युत घटाच्या (सोलर पॅनेलच्या) सहाय्याने बॅटरी चार्जिंग करणे.

**सौर विद्युत घटांची निवड**

सौर विद्युत घटाची निवड करण्यापूर्वी आपणास बॅटरीचे करंट व व्होल्टेज माहिती असणे आवश्यक असते.

उदा. समजा, बॅटरीचे व्होल्टेज ६ व्होल्ट आहे.

आणि बॅटरीची करंट वाहून नेण्याची क्षमता  $I = ४.५$  अॅम्पीअर तास आहे.

बॅटरी योग्य प्रकारे चार्जिंग होण्यासाठी खालील बाबींचा विचार करावा लागतो.

## विविध बॅटरीची करंटची क्षमता

क्र.	बॅटरीचा प्रकार	बॅटरीचे व्होल्टेज	बॅटरीची करंट वाहून नेण्याची क्षमता	बॅटरीचे कमीत कमी डिसचार्जिंग व्होल्टेज	बॅटरीची जास्तीत जास्त व्होल्टेजची क्षमता	बॅटरी चार्जिंगचा करंट रेट
1	लीड अॅसिडची बॅटरी	6v	4.5 अॅम्पीअर तासी	5.2 V	6.4 V	750 मिली अॅम्पीअर
2	लीड अॅसिडची बॅटरी	12v	7.5 अॅम्पीअर तासी	10.2V	12.4V	1 अॅम्पीअर
3	लीड अॅसिडची बॅटरी	12v	32 अॅम्पीअर तासी	10.2V	12.4V	3 अॅम्पीअर
4	लीड अॅसिडची बॅटरी	12v	65 अॅम्पीअर तासी	10.2V	12.4V	5 अॅम्पीअर
5	AA (alarm cell)	1.5V	180 मिलि अॅम्पीअर तासी	-	1.6V	30 मिलि अॅम्पीअर
6	मोबाईलची बॅटरी	3.6v	720 मिलि अॅम्पीअर तासी	2.1V	3.8V अॅम्पीअर	180 मिलि अॅम्पीअर
7	PP3 प्रकारची बॅटरी (मल्टीमीटर मध्ये वापरतात)	9v	800 मिलि अॅम्पीअर तासी	7.2V	9.4V अॅम्पीअर	180 मिलि अॅम्पीअर

सौर विद्युत घटाची निवड करताना प्रथम त्यातून निर्माण होणारी विद्युत शक्ती (P) शोधावी लागते.

उदा. जर तुम्ही १० वॅटचे एलईडी बल्ब दिवसातून ३ तास चालवले तर तुम्हाला ३० वॅट पाँवर एका दिवसासाठी लागेल.

दिवसातून ६ तास चांगला सूर्यप्रकाश मिळतो, त्याच्यासाठी ५ वॅट सोलर पॅनेलची गरज लागेल.

पाँवर (P) = बॅटरी व्होल्टेज ह्व करंट = ६V ह्व करंट

करंट (I) =  $\frac{30}{6}$

६

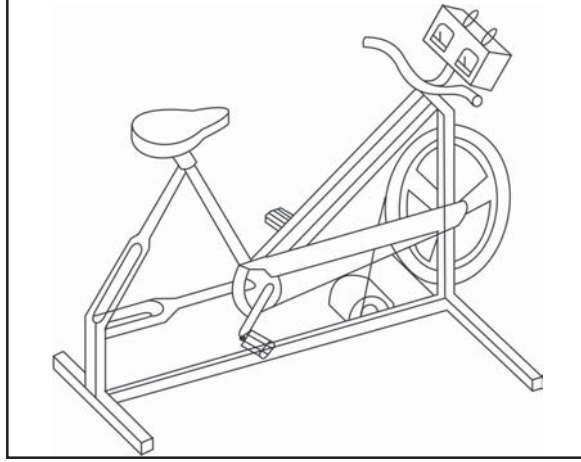
करंट (I) = ५ अॅम्पीअर

याचा अर्थ असा की तुम्हाला ६ व्होल्ट आणि ५ अॅम्पीअर तास पेक्षा जास्त करंटची बॅटरीची गरज लागेल.

वरील तक्त्यामध्ये वेगवेगळ्या बॅटरी चार्जिंगचा करंट रेट दिला आहे व वेगवेगळ्या व्होल्टेजच्या बॅटरीज पण दिल्या आहेत. तर तुम्ही बॅटरी व्होल्टेज आणि करंटचा गुणाकार केला तर तुम्हाला वॅट मिळेल व त्यांच्यावरून तुम्हा सोलर पॅनेलची निवड करता येईल.

### ४.३ : पेडल पाँवर

एक सामान्य माणूस ६० वॅट इतकी विद्युतशक्ती निर्माण करू शकतो. काही वर्षापूर्वी बल्बसाठी पुरवठा करता येईल एवढी विद्युतशक्ती मनुष्यशक्तीचा वापर करून निर्माण करणे शक्य नव्हते. कारण त्यासाठी जास्त ऊर्जा लागत असे. परंतू एलईडीच्या दिव्यांसाठी खूप कमी विद्युत ऊर्जा लागत असल्यामुळे मनुष्यशक्तीचा वापर करणे सहज शक्य झाले आहे.



आकृती ४.३ : पेडल पॉवर जनरेट

१२०० ते १५०० आरपीएम, ६ अ‍ॅपीअर करंट देणारा अल्टरनेटर, १२ व्होल्टरची बॅटरी व एकचाकी सायकल पेडल पॉवर जनरेटसाठी आवश्यक असते. सायकलच्या पुढील बाजूस एक फ्लायव्हील जोडलेले असते. असे जनरेटर्स विज्ञान आश्रम - पाबळ येथे उपलब्ध आहेत. चारचाकी गाड्यांसाठी जे एसी अल्टरनेटर्स वापरले जातात त्यांचा आरपीएम जास्त असतो. अशाच अल्टरनेटर्सचा येथे उपयोग केला आहे. अल्टरनेटर्समधील इंडक्शनमुळे पेडलिंग करण्यासाठी जड जाते. म्हणून अल्टरनेटर्स जसेच्या तसे वापरणे शक्य नसते. सायकलवर बसविलेला डायनॅमो ६ वॉट इतकी विद्युतशक्ती व ०.५ अ‍ॅपीअर एवढा करंट निर्माण करतो. याचा वापरसुद्धा कमी विद्युतशक्तीच्या प्रकाशीय उपकरणांसाठी करता येतो.

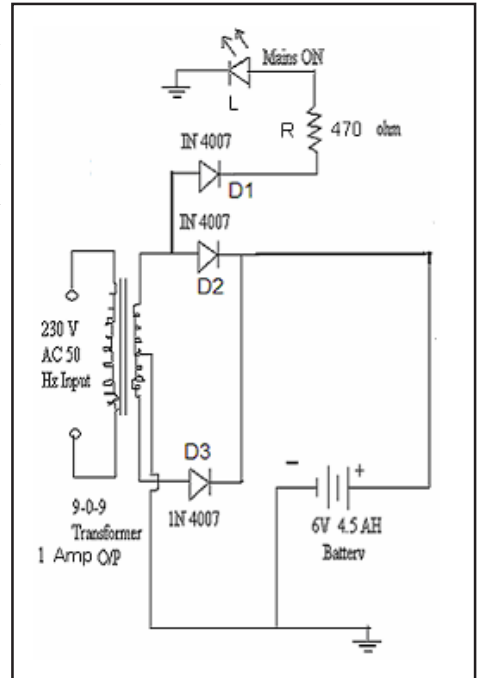
वेगवेगळे विद्युतशक्तीचे व्होल्टेज आणि करंट नियंत्रित करण्यासाठी सर्किट खालीलप्रमाणे दिला आहेत.

#### ४.४ बॅटरी चार्जर

यापूर्वी आपण सौर ऊर्जा तसेच विद्युत ऊर्जेचा वापर करून बॅटरी चार्जिंग कशी करावी हे आपण समजून घेतले. तसेच विद्युत ऊर्जेवर बॅटरी चार्जिंग करण्यासाठी चार्जरची आवश्यकता असते. बॅटरीच्या इनपूट व आऊटपूट व्होल्टेजनुसार विविध प्रकारचे बॅटरी चार्जर निर्माण करता येतात.



आकृती ४.४ : सहा व्होल्टची बॅटरी चार्ज करण्यासाठी लागणारा चार्जर



### घटक भागांची यादी

क्र.	घटकाचे नाव	घटकांची किंमत	घटकांची संख्या
1	डायोड D1 ते D3	1N4007	3
2	रेजिस्टर R	470 ओहम	1
3	एलईडी L	हिरवा एलईडी दिवा 5 मिमी	1
4	रोहित्र (ट्रान्सफॉर्मर)	9-0-9 (1 अॅम्पीअर)	1
5	पीसीबी PCB	2 सेमी ⊕ 4 सेमी आकार	1
6	वायर	मल्टीस्टॅंड प्रकारची Multistrand	1 सेमी

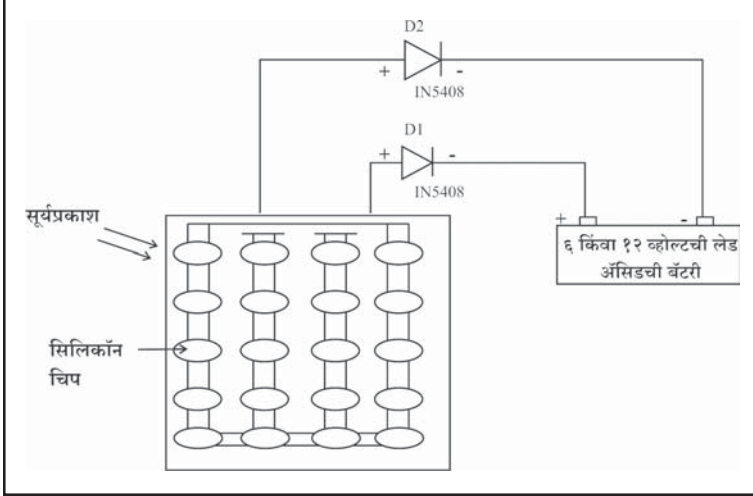
### चार्जरची वैशिष्ट्ये

१. बॅटरी चार्जिंग चालू असताना चार्जरचा इंडिकेटर चालू असतो.
२. हा चार्जर ६ व्होल्टचा बॅटरीसाठी योग्य आहे.

### ४.५ सौर विद्युत घट (सोलर पॅनल)

बाजारामध्ये विविध प्रकारचे सोलर पॅनल्स उपलब्ध असतात. सोलर पॅनल बॅटरीला जोडताना त्या अगोदर डायोड जोडतात. बाजारात वेगवेगळ्या करंट क्षमतेचे डायोड उपलब्ध आहेत. यामुळे डायोडमधून वाहणारा करंटचा दर ६ अॅम्पीअर इतका होतो. तसेच बॅटरीकडून पॅनलकडे परत येणाऱ्या करंटला डायोड प्रतिबंध करतो.

रात्रीच्या वेळी जेव्हा सोलर पॅनलमधून विद्युतप्रवाह (करंट) निर्माण होणे थांबते तेव्हा बॅटरीकडून पॅनलकडे करंट परत जाऊ नये यासाठी पॅनल व बॅटरीच्यामध्ये डायोड वापरतात.



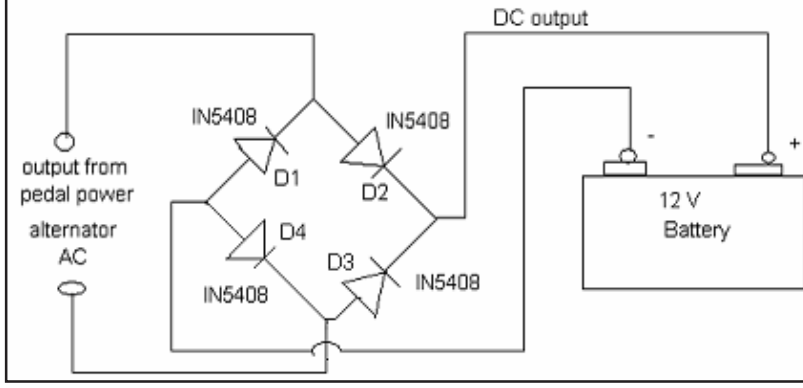
आकृती ४.५ : सोलर पॅनल व बॅटरीची जोडणी.

### ४.६ पेडल पॉवर

पेडल पॉवरच्या सहाय्याने वीजनिर्मितीसाठी जेव्हा आपण बॅटरीला अल्टरनेटर जोडतो तेव्हा डायोडच्या ब्रीज सर्किटच्या सहाय्याने अल्टरनेटर बॅटरीला जोडतात. कारण अल्टरनेटरमधून आपणास एसी व्होल्टेज मिळत असते. परंतू आपणास बॅटरी चार्जिंगसाठी डीसी व्होल्टेजची गरज असते. म्हणून असे चार डायोडचे ब्रीज सर्किट जोडतात की जे एसी व्होल्टेजचे डीसी व्होल्टेजमध्ये रूपांतर करते.



जर आपण अल्टरनेटर ऐवजी जनरेटर वापरला तर तेथे डायोडच्या ब्रीज सर्कीटची गरज पडत नाही. तेथे फक्त एक डायोड जोडतात. त्यामुळे बॅटरीकडून परत करंट वाहणे बंद होते.



आकृती ४.६ : पेडल पॉवर व बॅटरीची जोडणी.

घटक भागांची यादी

क्र.	घटकाचे नाव	घटकांची किंमत	घटकांची संख्या
1	डायोड D1 ते D4	1N4007	4
2	बॅटरी	12 व्होल्ट व ६५ अॅम्पीअर तास	1
3	अल्टरनेटर	12 व्होल्ट व ६ अॅम्पीअर	1

## प्रकरण पाचवे

### बॅटरी

#### प्रस्तावना

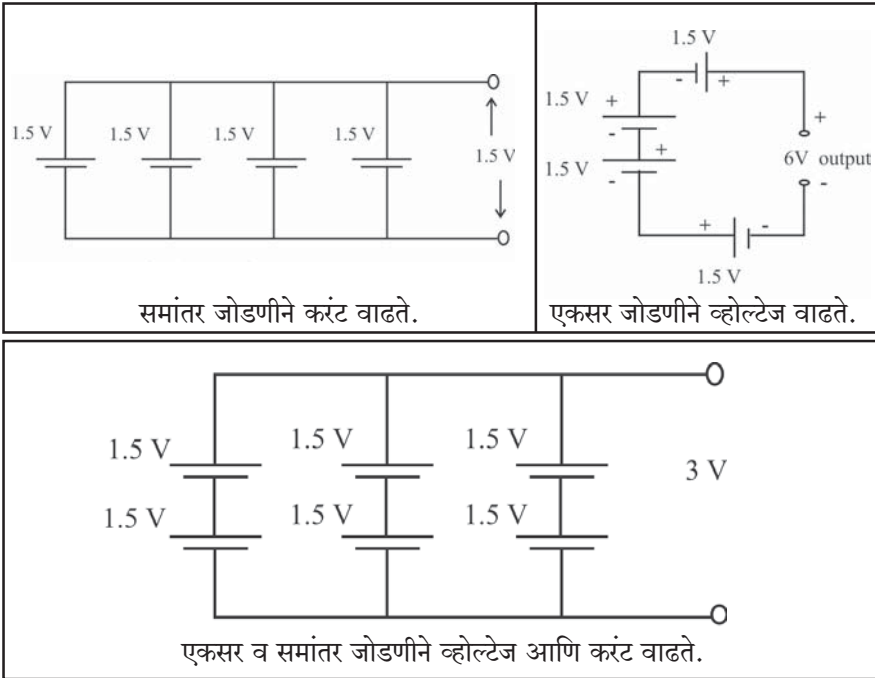
बॅटरीमध्ये सुरुवातीला विद्युत ऊर्जेचे रूपांतर रासायनिक ऊर्जेत करून ती साठवून ठेवतात आणि बॅटरी चालू असताना रासायनिक ऊर्जेचे रूपांतर विद्युत ऊर्जेत होते. बॅटरीमध्ये शिसे व लेड ऑक्साईड यांच्या प्लेट सल्फ्युरिक आम्लात बुडवून ठेवलेल्या असतात.

बॅटरी दीर्घकाळ वापरला असता बॅटरीतील रसायने निष्क्रिय होतात. अशावेळी बाहेरील स्रोताद्वारे विद्युतप्रवाह पुरवून ती रसायने पुन्हा कार्यान्वित केली जातात. अशा रितीने बॅटरी पुन्हा-पुन्हा विद्युत प्रभारित करता येतो. म्हणून बॅटरी दीर्घकाळ कार्यक्षम राहते. बॅटरीमध्ये शिशाच्या जाड पट्ट्या वापरलेल्या असल्याने ते जाड असतात. अनेक संचयी घट एकत्रित करून त्यांची बॅटरी तयार करतात. जास्त विभवांतर व जास्त विद्युतप्रवाह मिळविण्याची योजना यामध्ये करता येते. अशा बॅटरीपासून १८ व्होल्टपर्यंत विभवांतर (व्होल्टेज) मिळवता येते. मोटारी तसेच ट्रक या वाहनांमध्ये संचयी बॅटरींचा वापर करतात.

कोरडी बॅटरी आपण रेडिओ, घड्याळ यांसाठी वापरतो त्यांना प्राथमिक बॅटरी असे म्हणतात. ज्या विद्युत घटांमध्ये रासायनिक अभिक्रिया पुन्हा-पुन्हा घडून येते व डिसचार्ज झालेले बॅटरी पुन्हा चार्ज करता येतात त्यांना द्वितीय बॅटरी म्हणतात.

#### ५.१ बॅटरींची जोडणी

आपणास किती प्रमाणात करंट किंवा व्होल्टेज हवे असते त्यानुसार दोन किंवा जास्त बॅटरी एकमेकींना एकसर किंवा समांतर जोडणीने जोडावयाचे ते ठरवितात.



आकृती ५.१ : बॅटरींची एकसर व समांतर जोडणी

## ५.२ बॅटरीची निवड

बॅटरी कोणत्या उपकरणाला जोडावयाची असते यानुसार बॅटरी निवडणे ठरते.

क्र.	उपकरण	बॅटरी व्होल्टेज	बॅटरीचे नाव
1	रेडिओ	1.5v	कोरडा बॅटरी
2	दिवा	6v	लीड अॅसिडचा बॅटरी
3	विजेरी (टॉर्च)	9v	पी.पी.३ बॅटरी
4	इमर्जन्सी दिवा	6v	लीड अॅसिडचा बॅटरी
5	मोबाईल	3.6v	पॉलीमर बॅटरी

निकेल - कॅडमियम यांसारख्या धातूंचा वापर ९ व्होल्टचा पी.पी-३ बॅटरीमध्ये केलेला असतो. पीपी३ बॅटरी अशा उपकरणांमध्ये वापरतात की ज्या उपकरणांची कुठेही ने -आण करता येते. उदा. रेडिओ, मल्टीमीटर इ.

तुम्हाला बॅटरी तसेच सर्व बॅटरीबद्दल सविस्तर माहिती हवी असल्यास पुढील संकेत स्थळावर मिळू शकेल. [www.answers.com](http://www.answers.com)

### आपल्या कामासाठी योग्य बॅटरीची निवड कशी करावी.

प्रथम आपण जे उपकरण वापरणार आहोत त्या उपकरणाबाबत खालील गोष्टी माहिती करून घ्याव्यात. आपल्या उपकरणाचे इनपूट व्होल्टेज किती आहे.

आपल्या उपकरणासाठी किती विद्युतशक्ती लागणार आहे किंवा उपकरण किती वॉटचे आहे.

आपल्या उपकरणासाठी जास्तीत जास्त किती करंट द्यावा लागणार आहे.

आपले उपकरण आपण दिवसातून किती वेळ चालू ठेवणार आहोत.

### १) बॅटरीचे व्होल्टेज ठरविणे

आपल्या उपकरणासाठी लागणाऱ्या व्होल्टेजपेक्षा बॅटरीचे व्होल्टेज थोडेफार जास्त असावे लागते. जी बॅटरी तिच्यावर नमूद केलेल्या व्होल्टेजएवढे पुरवत नसेल तिच्यासाठी डीसी रेग्युलेटर सर्कीट जोडावे लागते.

युपीएससाठी १२ व्होल्ट व ७.५ अॅम्पीअर तासाच्या बॅटरीची गरज असते. आणि इमर्जन्सी दिव्यासाठी ६ व्होल्ट व ४.५ अॅम्पीअर तासाच्या बॅटरीची गरज असते.

### २) बॅटरीची करंटची क्षमता ठरविणे

प्राथमिक बॅटरीवर त्यांची क्षमता मिली अॅम्पीअर तास अशी लिहीलेली असते तर द्वितीय बॅटरीवर अॅम्पीअर तास अशी लिहीलेली असते. याचा अर्थ असा की एका तासात ती बॅटरी किती करंट देऊ शकते. उदा. ८० अॅम्पीअर तासाची जर बॅटरी असेल तर ती बॅटरी १ तासभर ८० अॅम्पीअर करंट देऊ शकते. डिसचार्ज होण्याचा कालावधी त्या बॅटरीला किती वॉटचे उपकरण जोडले आहे व ते उपकरण आपण किती वेळ चालविणार आहोत यावर अवलंबून असते. यासंदर्भातील आकडेवारी खालील सूत्राचा वापर करून करता येते.

$$\text{बॅटरीचे अॅम्पीअर तास} = \frac{\text{उपकरणाचे वॉटेज} \oplus \text{उपकरण चालविण्याचा वेळ}}{\text{बॅटरीचे व्होल्टेज}}$$



- ब) दर तीन महिन्यांनी बॅटरीतील ऑसिडची पातळी तपासावी. ऑसिडची पातळी योग्य राखली गेल्याने बॅटरीचे आयुष्य वाढते.

### सुरक्षिततेसंदर्भातील पूर्वसूचना

१. इलेक्ट्रिक उपकरणाच्या धन ध्रुवाची बॅटरीच्या धन ध्रुवाला व ऋण ध्रुवाची ऋण ध्रुवाला लक्षापूर्वक योग्य ती जोडणी करावी.
२. कोरडी बॅटरी चार्ज करू नये.
३. कोणतीही बॅटरी गरम करू नका. तसेच पाणी-आग व उष्णता यांपासून दूर ठेवा.
४. जर एखादा बॅटरी फुटली असेल किंवा त्याची गळती होत असेल तर तो वापरणे ताबडतोब बंद करा.
५. बॅटरी पूर्ण चार्ज झाल्यानंतर लगेच बंद होणारा चार्जर वापरावा.
६. आपली बॅटरी लक्षापूर्वक चार्ज करा.

### ५.४ बॅटरीची तपासणी

#### अ) प्रमाणापेक्षा जास्त चार्ज करणे

पूर्ण चार्ज झालेल्या १२ व्होल्ट बॅटरीचे व्होल्टेज १२.६ इतके असते. चार्जिंग करताना बॅटरीचे व्होल्टेज जेव्हा १२.६ इतके होते तेव्हा लगेचच बॅटरी चार्ज करणे थांबवावे.  
६ व्होल्टच्या बॅटरीसाठी हे प्रमाण ६.४ व्होल्ट इतके असते.

#### ब) प्रमाणापेक्षा कमी डिसचार्ज होणे

जेव्हा बॅटरीचे व्होल्टेज ठरवून दिलेल्या प्रमाणापेक्षा कमी होते याला डिसचार्जिंग व्होल्टेज असे म्हणतात. १२ व्होल्टेच्या संचयी बॅटरीचे डिसचार्जिंग व्होल्टेज १०.२ व्होल्ट इतके आहे तर ६ व्होल्टच्या बॅटरीचे डिसचार्जिंग व्होल्टेज ५.२ इतके आहे. जर या पेक्षा कमी व्होल्टेज झाले तर ती बॅटरी प्रमाणापेक्षा जास्त डिसचार्ज होते.  
बॅटरीचे या व्होल्टेजपेक्षा कमी व्होल्टेज झाल्यास त्या बॅटरीवर चालणारे उपकरण बंद करावे व बॅटरी चार्जिंगला लावावी.

## परिशिष्ट (संदर्भसूची)

### वीजबिलाची किंमत काढणे.

KWH पद्धतीने बीजबिलाची किंमत काढणे.

KWH - Kilo watt Hour.

KW - किलो वॉट

H - तास.

1000 वॉट = 1 किलो वॉट

**सूत्र : १००० वॉट ह १ तास = १ युनिट**

किलो वॉट ह तास ह दिवस = युनिट ह दर वीजबिल

एखादे उपकरण चालविण्यासाठी जर एका तासाला १००० वॉट इतकी विद्युतशक्ती लागते याचा अर्थ असा होतो की ते उपकरण चालवण्यासाठी एक एका तासाला १ युनिट वीज वापरली जाते.

### उदाहरणार्थ :

समजा विज्ञान आश्रमामध्ये,

दर दिवशी ४ ट्यूबलाईट ८ तास चालू असतात. (एक ट्यूबलाईट ४० वॉटची आहे.)

दर दिवशी १२ बल्ब २ तास चालू असतात. (एक बल्ब २०० वॉटचा आहे.)

तसेच दर दिवशी १ एलईडी दिवा १२ तास चालू असतो. (एक एलईडी दिवा २ वॉटचा आहे.)

तर विज्ञान आश्रमासाठी येणारे एका महिन्याचे वीजबिल काढा.

### दर दिवशी होणारा वीजेचा वापर :

४ ट्यूबलाईटसाठी - ४० वॉट ह ४ ट्यूब ह ८ तास = १२८० वॉट

१२ बल्बसाठी - २०० वॉट ह १२ बल्ब ह २ तास = ४८०० वॉट

एका एलईडी दिव्यासाठी - २ वॉट ह १ दिवा ह १२ तास = २४ वॉट

दर दिवशी होणारा एकूण वीजेचा वापर = १२८० + ४८०० + २४ = ६१०४ वॉट

एका महिन्यासाठी म्हणजे -

३० दिवसांसाठी होणारा वीजेचा वापर = ६१०४ वॉट ह ३० दिवस

= १८३१२० वॉट

१८३१२० वॉट

=  $\frac{१८३१२०}{१०००}$

१०००

= १८३.१२ किलोवॉट

३० दिवसांसाठी होणारा वीजेचा वापर = १८३.१२ युनिट

विज्ञान आश्रमासाठी येणारे

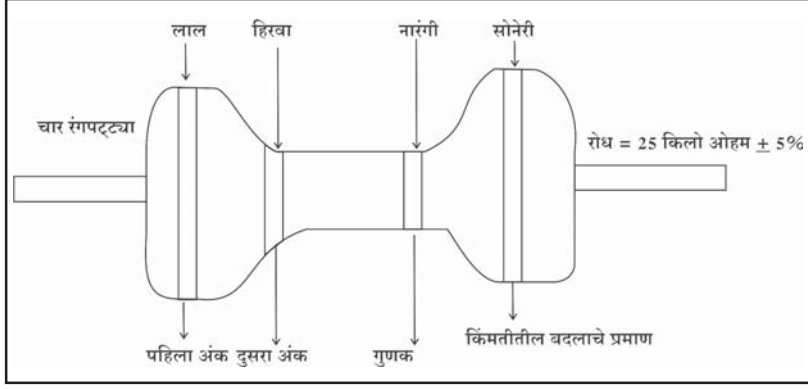
एका महिन्याचे अपेक्षित वीजबिल = १८३.१२ युनिट ह एका युनिटचा दर

= १८३.१२ ह ..... रुपये.

= ..... रुपये.

## रोधांवरील रंगपट्ट्यांवरून रोधांची किंमत काढणे.

धातूंच्या ऑक्साईडच्या व कार्बन फिल्मच्या रोधांवर चार रंगांच्या रंगपट्ट्या लावलेल्या असतात.



## रंगपट्ट्यांवरून रोधांची किंमत काढणे.

	पहिला अंक	दुसरा अंक	गुणक - दहाचा घातांक	किंमतीतील बदलाचे प्रमाण
रंग	लाल	हिरवा	नारंगी	सोनेरी
तक्तामध्ये दिलेली रंगाची किंमत	२	५	३	५%

$$\text{रोधाची किंमत (R)} = २५ \text{ ह्र } १०^३$$

$$= २५ \text{ ह्र } १०००$$

$$= २५०००$$

$$R = २५ \text{ किलोओहम आणि } \pm ५\% \text{ किंमतीतील फरकाचे प्रमाण}$$

## रंगतक्ता

काळा	तपकिरी	लाल	नारंगी	पिवळा	हिरवा	निळा	जांभळा	करडा	पांढरा
०	१	२	३	४	५	६	७	८	९

वरील तक्त्याच्या सहाय्याने रेजिस्टरची किंमत काढता येईल.

## एलईडी दिव्यांच्या माहितीसंदर्भातील इंटरनेटवरील संकेतस्थळे

- 1) [www.kwalityindia.com](http://www.kwalityindia.com)
- 2) [www.globalsources.com](http://www.globalsources.com)
- 3) [www.superbrightleds.com](http://www.superbrightleds.com)
- 4) [www.ledsupply.com](http://www.ledsupply.com)
- 5) [www.eled.com](http://www.eled.com)
- 6) [www.globalspec.com](http://www.globalspec.com)
- 7) [www.howstuffwork.com](http://www.howstuffwork.com)
- 8) [www.electronics-lab.com](http://www.electronics-lab.com)
- 9) [www.candlepowerforums.com](http://www.candlepowerforums.com)

## बॅटरीचे निर्माते

- १) एम. एस. एंटरप्रायझेस,  
१४/४ आनंद इंडस्ट्रियल इस्टेट, आनंदनगर, भोसरी, पुणे २६. दूरभाष क्र. : ०२०-२७१२४३२४
- २) सनविन एंटरप्रायझेस,  
४०८/१, गुलटेकडी, स्वामेट, पुणे - सातारा रस्ता, पुणे ३७.  
दूरभाष क्र. : ०२०-२४२६७१८२, २४२७२०४९

### संचयी बॅटरींचे ठोक (होलसेल) विक्रेते

- १) अलाईट एंटरप्रायझेस,  
५०८, बुधवार पेठ, ट्राओ शॉपीच्या समोर, पुणे

### सोलर पॅनलचे निर्माते

- १) इकोसोलर सिस्टीम (इंडिया) लिमिटेड,  
१७७अ/२ पुणे - सिहगड रस्ता, पर्वती, पुणे ३०  
दूरभाष क्र. : ०२०-४३३६९९९/४३३०४४२
- २) मशिनोक्राफ्ट (पुणे) पाय. लिमिटेड,  
१५/४ अ, वासुदेव इस्टेट, पुणे-सातारा रस्ता, पुणे ४३  
दूरभाष क्र. : ०२०-४३७१४५७
- ३) बोनडक्ट प्रोसेसर्स प्रा.लि.  
प्रेरणा २१, ४४/२ अमर सोसायटी, एरंडवना, पुणे ४  
दूरभाष क्र. : ०२०-५४३७८४३

### सर्व प्रकारच्या इलेक्ट्रॉनिक घटक भागांचे ठोक (होलसेल) विक्रेते

- १) पायोनियर इलेक्ट्रॉनिक्स,  
५०८, बुधवार पेठ, देना बँकेसमोर, पुणे १२  
दूरभाष क्र. : ०२० - २४४५८२५७, फॅक्स : २४४९५३३६  
ई-मेल : pioneer\_tech@vsnl.net  
वेबसाईट : www.pioneerpune.info
- २) ट्रिनिटी इलेक्ट्रॉनिक्स  
सोवा मार्केट, तळमजला, ४६३/६४ बुधवार पेठ,  
पासोड्या विठोबा मंदिराजवळ, पुणे.  
दूरभाष क्र.: ०२०-६६०१९६४७  
ई-मेल : triniticelectronic@hotmail.com
- ३) गाला इलेक्ट्रॉनिक्स, (vegakit उपलब्ध)  
२० पहिला मजला, कल्पना बिल्डींग, ३५७, लॉमिंग्टन रस्ता, मुंबई ०७.  
दूरभाष क्र.: ०२२-२३८७९५६२, २३८५४५१०, २३८२३५५०  
ई-मेल : vega63@vsnl.com  
वेबसाईट : www.vegakitindia.com

### प्लास्टिक बॉक्सचे ठोक विक्रेते

- १) मनोज ट्रेडिंग कंपनी,  
दुकान नं. १४, सोबा मार्केट, ४६३ बुधवार पेठ, पुणे ०२.  
दूरभाष क्र.: ०२०-२४४८३९६४  
मोबाईल : ९८२२४२१०४२
- २) हेमिला प्लास्टिक्स  
१०१९, बुधवार पेठ, शुक्रवार पेठ, पोलिस चौकीच्या समोर,  
श्रीनाथ टॉकीजच्या गल्लीसमोर, पुणे २  
दूरभाष क्र.: ०२०-२४४७२१४६



## तुलनात्मक तक्ता

खालील दिलेल्या तक्त्यामध्ये,

बल्ब, सीएफएलचा दिवा व एलईडीचा दिवा हे सर्व दिवे जवळपास २०० ल्युमेन्स इतका प्रकाश देतात. सीएफएलच्या दिव्यांसाठी बबलपेक्षा एक चतुर्थांश पट विद्युतशक्ती लागते तर एलईडीच्या दिव्यांसाठी सीएफएलच्या दिव्यांपेक्षा एक द्वितीयांश पट विद्युतशक्ती लागते.

क्र.	प्रकाशाची तीव्रता	बल्ब	सीएफएलचा दिवा	एलईडी दिवा
१.	२०० ल्युमेन्स	२५ वॉट	५-६ वॉट	१.८-२ वॉट
२.	४५० ल्युमेन्स	४० वॉट	८ वॉट	६ वॉट
३.	६००-७०० ल्युमेन्स	६० वॉट	१४ वॉट	१२ वॉट
४	९५० ल्युमेन्स	७५ वॉट	१८-२० वॉट	-
५	१२०० ल्युमेन्स	१०० वॉट	२०-२५ वॉट	-
६	१६०० ल्युमेन्स	१२५ वॉट	२६-३० वॉट	-
७	१९०० ल्युमेन्स	१५० वॉट	३५-४२ वॉट	-

विद्युतशक्तीचा वापर बल्ब, सीएफएल व एलईडी दिव्यांसाठी वेगवेगळा असतो.

विज्ञान आश्रम, पाबळ येथे सीएफएलचे दिवे पण तयार केलेले आहेत. त्या दिव्यांचे वैशिष्ट्य असे आहे की जेव्हा एखादी फ्लोरोसेंट ट्यूब खराब होते तेव्हा त्यातील काही इलेक्ट्रॉनिक घटक जळालेल्या किंवा खराब झालेल्या सीएफएलमध्ये वापरता येतात. असे घटक बाजारातसुध्दा उपलब्ध आहेत.

या पुस्तिकेत काही मराठी शब्दांऐवजी इंग्रजी शब्द सोयीचे ठरतात म्हणून त्यासाठी दररोजच्या वापरातील इंग्रजी शब्द वापरले आहेत.  
विभवांतर शब्दासाठी व्होल्टेज, दिष्ट विद्युतधारा शब्दासाठी डिसी करंट,  
प्रत्यावर्ती विद्युतप्रवाह शब्दासाठी एसी करंट,  
छापील विद्युत परिपथाऐवजी पीसीबी,  
रेहिलत्र ऐवजी ट्रान्सफॉर्मर.